

TEAC

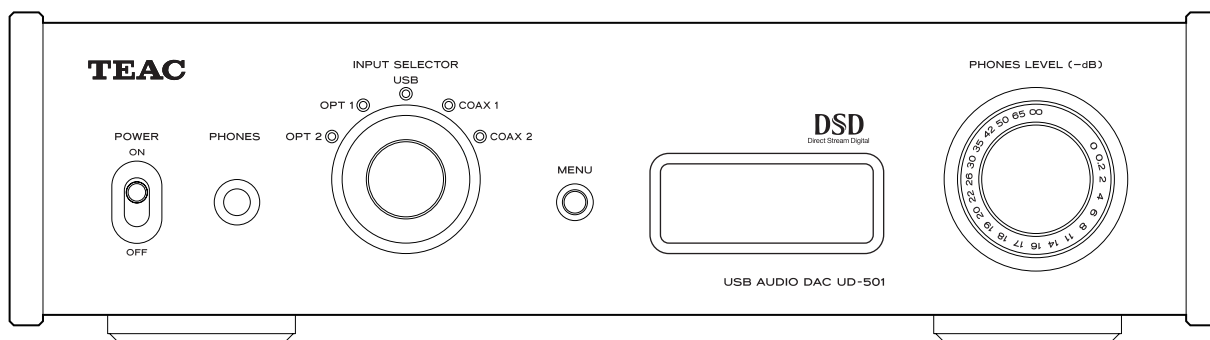
UD-501

USB D/A Converter



OWNER'S MANUAL

MODE D'EMPLOI

MANUAL DEL USUARIO



IMPORTANT SAFETY PRECAUTIONS

	CAUTION RISK OF ELECTRIC SHOCK DO NOT OPEN	
CAUTION: TO REDUCE THE RISK OF ELECTRIC SHOCK, DO NOT REMOVE COVER (OR BACK). NO USER-SERVICEABLE PARTS INSIDE. REFER SERVICING TO QUALIFIED SERVICE PERSONNEL.		



The lightning flash with arrowhead symbol, within an equilateral triangle, is intended to alert the user to the presence of uninsulated "dangerous voltage" within the product's enclosure that may be of sufficient magnitude to constitute a risk of electric shock to persons.



The exclamation point within an equilateral triangle is intended to alert the user to the presence of important operating and maintenance (servicing) instructions in the literature accompanying the appliance.

WARNING: TO PREVENT FIRE OR SHOCK HAZARD, DO NOT EXPOSE THIS APPLIANCE TO RAIN OR MOISTURE.

CAUTION

- DO NOT REMOVE THE EXTERNAL CASES OR CABINETS TO EXPOSE THE ELECTRONICS. NO USER SERVICEABLE PARTS ARE INSIDE.
- IF YOU ARE EXPERIENCING PROBLEMS WITH THIS PRODUCT, CONTACT TEAC FOR A SERVICE REFERRAL. DO NOT USE THE PRODUCT UNTIL IT HAS BEEN REPAIRED.
- USE OF CONTROLS OR ADJUSTMENTS OR PERFORMANCE OF PROCEDURES OTHER THAN THOSE SPECIFIED HEREIN MAY RESULT IN HAZARDOUS RADIATION EXPOSURE.

IN NORTH AMERICA USE ONLY ON 120 V SUPPLY.

For U.S.A.

This equipment has been tested and found to comply with the limits for a Class B digital device, pursuant to Part 15 of the FCC Rules. These limits are designed to provide reasonable protection against harmful interference in a residential installation. This equipment generates, uses, and can radiate radio frequency energy and, if not installed and used in accordance with the instructions, may cause harmful interference to radio communications. However, there is no guarantee that interference will not occur in a particular installation. If this equipment does cause harmful interference to radio or television reception, which can be determined by turning the equipment off and on, the user is encouraged to try to correct the interference by one or more of the following measures:

- Reorient or relocate the equipment and/or the receiving antenna.
- Increase the separation between the equipment and receiver.
- Connect the equipment into an outlet on a circuit different from that to which the receiver is connected.
- Consult the dealer or an experienced radio/TV technician for help.

CAUTION

Changes or modifications to this equipment not expressly approved by TEAC CORPORATION for compliance will void the user's warranty.

For Canada

Industry Canada's Compliance Statement:

This Class B digital apparatus complies with Canadian ICES-003.

Cet appareil numérique de la classe B est conforme à la norme NMB-003 du Canada.


"DSD" is a registered trademark.

Microsoft, Windows XP, Windows Vista and Windows 7 are either registered trademarks or trademarks of Microsoft Corporation in the United States and/or other countries.

Apple, Macintosh and Mac OS X are trademarks of Apple Inc., registered in the U.S. and other countries.

Other company names and product names in this document are the trademarks or registered trademarks of their respective owners.

IMPORTANT SAFETY INSTRUCTIONS

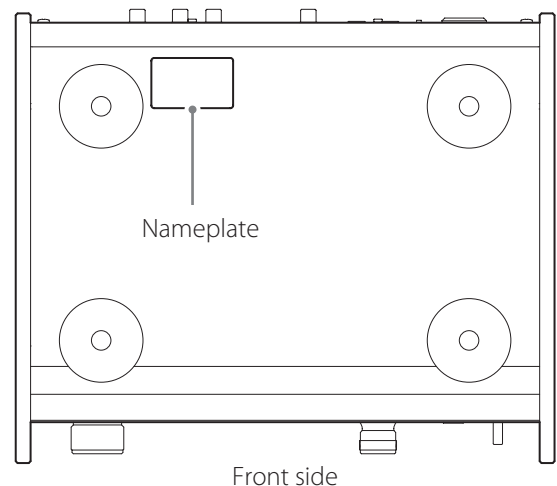
- 1) Read these instructions.
 - 2) Keep these instructions.
 - 3) Heed all warnings.
 - 4) Follow all instructions.
 - 5) Do not use this apparatus near water.
 - 6) Clean only with dry cloth.
 - 7) Do not block any ventilation openings. Install in accordance with the manufacturer's instructions.
 - 8) Do not install near any heat sources such as radiators, heat registers, stoves, or other apparatus (including amplifiers) that produce heat.
 - 9) Do not defeat the safety purpose of the polarized or grounding-type plug. A polarized plug has two blades with one wider than the other. A grounding type plug has two blades and a third grounding prong. The wide blade or the third prong are provided for your safety. If the provided plug does not fit into your outlet, consult an electrician for replacement of the obsolete outlet.
 - 10) Protect the power cord from being walked on or pinched particularly at plugs, convenience receptacles, and the point where they exit from the apparatus.
 - 11) Only use attachments/accessories specified by the manufacturer.
 - 12) Use only with the cart, stand, tripod, bracket, or table specified by the manufacturer, or sold with the apparatus. When a cart is used, use caution when moving the cart/apparatus combination to avoid injury from tip-over.
- 
- 13) Unplug this apparatus during lightning storms or when unused for long periods of time.
 - 14) Refer all servicing to qualified service personnel. Servicing is required when the apparatus has been damaged in any way, such as power-supply cord or plug is damaged, liquid has been spilled or objects have fallen into the apparatus, the apparatus has been exposed to rain or moisture, does not operate normally, or has been dropped.
- The apparatus draws nominal non-operating power from the AC outlet with its POWER or STANDBY/ON switch not in the ON position.
 - The mains plug is used as the disconnect device, the disconnect device shall remain readily operable.
 - Caution should be taken when using earphones or headphones with the product because excessive sound pressure (volume) from earphones or headphones can cause hearing loss.

CAUTION

- Do not expose this apparatus to drips or splashes.
- Do not place any objects filled with liquids, such as vases, on the apparatus.
- Do not install this apparatus in a confined space such as a book case or similar unit.
- The apparatus should be located close enough to the AC outlet so that you can easily reach the power cord plug at any time.
- If the product uses batteries (including a battery pack or installed batteries), they should not be exposed to sunshine, fire or excessive heat.
- CAUTION for products that use replaceable lithium batteries: there is danger of explosion if a battery is replaced with an incorrect type of battery. Replace only with the same or equivalent type.


WARNING

Products with Class I construction are equipped with a power supply cord that has a grounding plug. The cord of such a product must be plugged into an AC outlet that has a protective grounding connection.




For European Customers

Disposal of electrical and electronic equipment

- (a) All electrical and electronic equipment should be disposed of separately from the municipal waste stream via collection facilities designated by the government or local authorities.
- (b) By disposing of electrical and electronic equipment correctly, you will help save valuable resources and prevent any potential negative effects on human health and the environment.
- (c) Improper disposal of waste electrical and electronic equipment can have serious effects on the environment and human health because of the presence of hazardous substances in the equipment.
- (d) The Waste Electrical and Electronic Equipment (WEEE) symbol, which shows a wheeled bin that has been crossed out, indicates that electrical and electronic equipment must be collected and disposed of separately from household waste. 
- (e) Return and collection systems are available to end users. For more detailed information about the disposal of old electrical and electronic equipment, please contact your city office, waste disposal service or the shop where you purchased the equipment.

Disposal of batteries and/or accumulators

- (a) Waste batteries and/or accumulators should be disposed of separately from the municipal waste stream via collection facilities designated by the government or local authorities.
- (b) By disposing of waste batteries and/or accumulators correctly, you will help save valuable resources and prevent any potential negative effects on human health and the environment.
- (c) Improper disposal of waste batteries and/or accumulators can have serious effects on the environment and human health because of the presence of hazardous substances in them.
- (d) The WEEE symbol, which shows a wheeled bin that has been crossed out, indicates that batteries and/or accumulators must be collected and disposed of separately from household waste.  **Pb, Hg, Cd**

If a battery or accumulator contains more than the specified values of lead (Pb), mercury (Hg), and/or cadmium (Cd) as defined in the Battery Directive (2006/66/EC), then the chemical symbols for those elements will be indicated beneath the WEEE symbol.

- (e) Return and collection systems are available to end users. For more detailed information about the disposal of waste batteries and/or accumulators, please contact your city office, waste disposal service or the shop where you purchased them.

Contents

Thank you for choosing TEAC. Read this manual carefully to get the best performance from this unit.

Included items.....	5
Before use.....	6
Maintenance.....	6
Names and functions of parts.....	7
Connecting equipment.....	8
Basic operation.....	10
Display.....	11
Playing back music on a computer.....	13
Settings.....	15
Troubleshooting.....	18
Specifications.....	20

Included items

Check to be sure the box contains all the included items shown below.

Please contact the store where you purchased this unit if any of these items are missing or have been damaged during transportation.

Power cord × 1

RCA audio cable × 1

Owner's manual (this document) × 1

- Keep this manual in a safe place for future reference.

Warranty card × 1

Before use

Placement precautions

- Do not put anything on top of the unit.
- Avoid placing the unit in direct sunlight or close to any source of heat, such as a radiator, heater, open fireplace or amplifier. Also avoid locations that are subject to vibrations or exposed to excessive dust, cold or moisture.
- Place the unit in a stable location near the audio system that you will use with it.
- Do not move the unit during use.
- The voltage supplied to the unit should match the voltage printed on the rear panel. If you are in any doubt regarding this matter, consult an electrician.
- As the unit could become warm during operation, always leave sufficient space around it for ventilation. When placing this unit, position it so that it is at least 3 cm (1.2") from walls and other devices in order to allow good heat dissipation. When installing it in a rack, leave at least 5 cm (2") open above the unit and 10 cm (4") open behind it.
- Do not open the body of the unit as this might result in damage to the circuitry or cause electric shock. If a foreign object should get into the unit, contact your dealer or a TEAC service center.
- When removing the power plug from the wall outlet, always pull directly on the plug; never yank on the cord.
- Depending on the electromagnetic waves of television broadcasts, interference might appear on television screens when this unit's power is on. This does not mean that this unit or the TV is malfunctioning. If this occurs, turn this unit's power off.

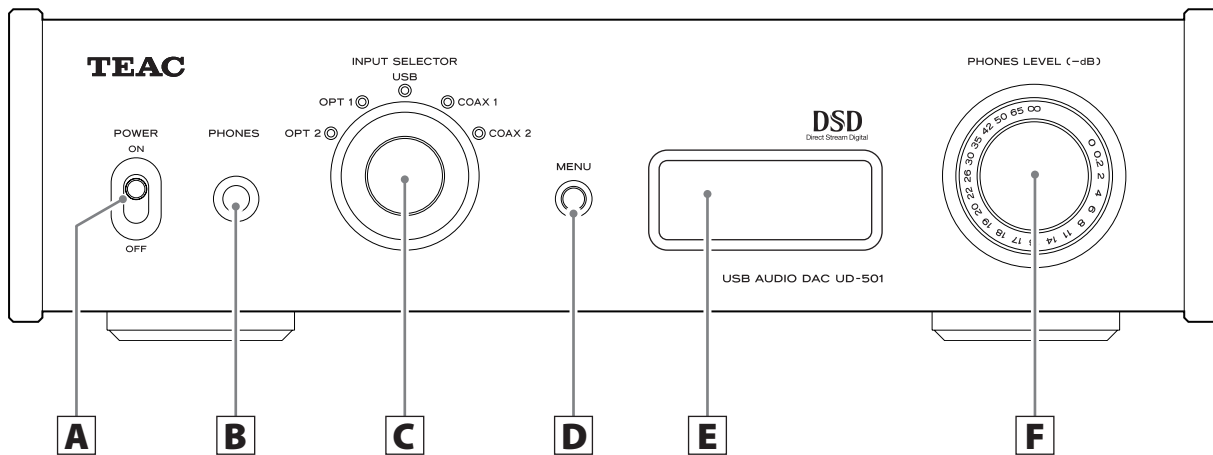
Maintenance

If the surface of the unit becomes dirty, wipe it with a soft dry cloth. If the unit becomes very dirty, dampen a soft cloth slightly with a diluted neutral cleanser and thoroughly wring out any excess fluid before using the cloth to wipe the unit.

For your safety, disconnect the power cord from the socket before cleaning.

- Never spray liquid directly on the unit.
- Do not use thinner or alcohol as they could damage the surface of the unit.
- Avoid allowing rubber or plastic materials to touch this product for long periods of time, because they could damage the cabinet.

Names and functions of parts



A POWER switch

Use to turn the power ON and OFF.

B PHONES jack

Connect headphones with a standard 6.3 mm (1/4") stereo plug here.

C INPUT SELECTOR knob

Use to select the input source. The indicator lights next to the selected input source.

Use to change setting values when a menu item is shown.

- If you turn this knob when the unit has entered standby because of the automatic power saving function, the unit's power will turn ON again.

D MENU button

Press to enter setting mode (page 15).

- If you press this button when the unit has entered standby because of the automatic power saving function, the unit's power will turn ON again.

E Display

This display shows information about the audio playing back and menu screens.

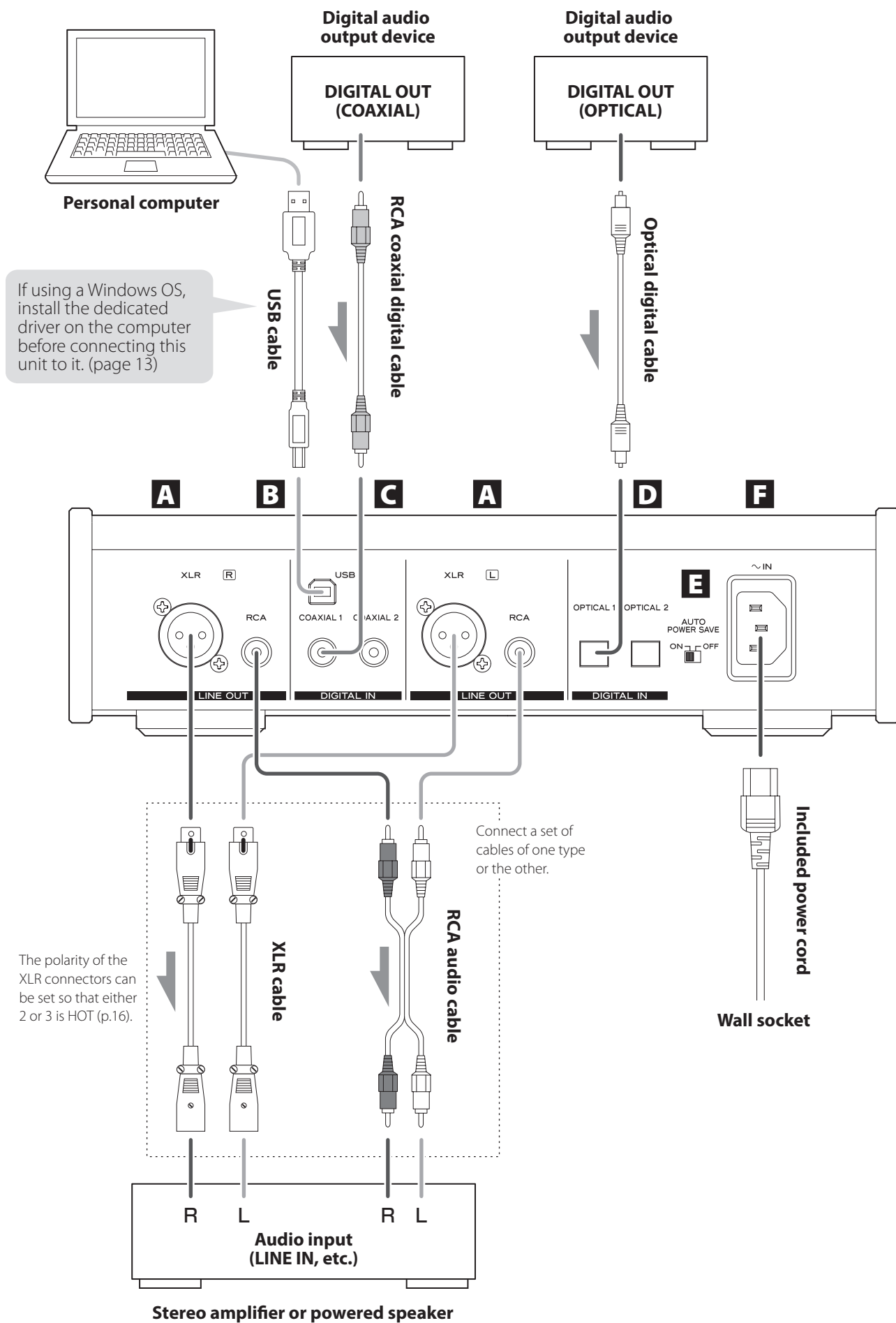
F PHONES LEVEL knob

Use to adjust the headphones output volume. Turn right to increase and left to decrease the volume.

- This knob does not adjust the output level from the analog LINE OUT connectors.

The maximum volume level is 0 and the minimum level is $-\infty$ (negative infinity). When using headphones, before turning the power on, use the PHONES LEVEL knob to set the headphones volume level to its minimum ($-\infty$). Failure to do so might cause sudden loud noises, which could harm your hearing or result in other trouble.

Connecting equipment



A Analog audio output connectors (LINE OUT)

These are a two-channel analog audio output pair. Connect these XLR connectors and RCA jacks to stereo amplifiers or powered speakers.

Use the included cables or commercially-available cables to make these connections.

XLR:	Balanced XLR cables
RCA:	RCA audio cable

Connect the R connector of this unit with the R connector of the amplifier. Likewise, connect the L connector of this unit with the L connector of the amplifier.



B USB input connector (DIGITAL IN)

Use to input digital audio from a computer. Connect it to a computer's USB connector.

Use a commercially available USB cable for connection.

CAUTION

Before connecting a computer that is running a Windows OS, you must install the dedicated driver on the computer (page 13).

Proper connection is not possible with a computer that does not have this driver installed.

C RCA coaxial digital audio input connectors (DIGITAL IN)

Use these to input digital audio. Connect the coaxial digital audio output jacks of digital audio devices to them.

Use commercially available RCA coaxial digital cables to make the connections.

D Optical digital audio input connectors

Use to input digital audio. Connect the optical digital audio output connectors of digital audio devices to them.

Use commercially available optical digital cables to make the connections.

E AUTO POWER SAVE switch

Use to turn the automatic power saving function ON and OFF. When ON, the unit will automatically enter standby mode if there is no digital input for 30 minutes or more.

- To turn the power on again when in standby mode, press the MENU button, turn the INPUT SELECTOR knob or shift the POWER switch to OFF once and then back to ON.
- Wait a few seconds after shifting the POWER switch to OFF before shifting it back to ON.

F Power inlet (~IN)

Insert the included power cord here. After completing all other connections, insert the power plug into a power outlet.

Unplug the cord from the outlet when not using the unit for a long time.

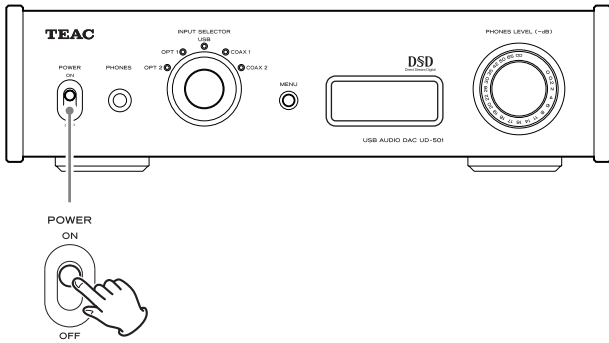
- ⚠ Use only the included power cord. Use of a different cord could cause fire or electric shock.

⚠ Do not turn the power on until after making all connections.

- Carefully read the manuals of the devices that you are connecting and follow their instructions when making connections.
- Do not bundle connecting cables with power cords. Doing so could cause noise.
- Connect all plugs completely.

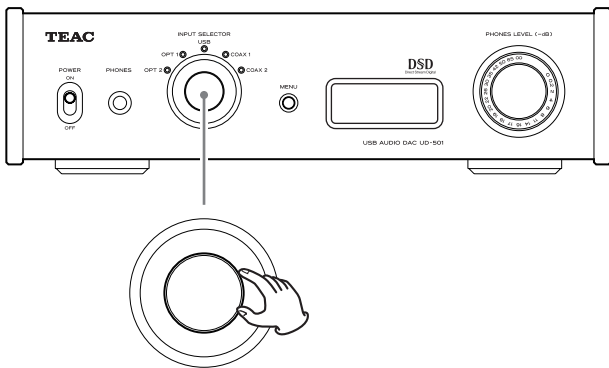
Basic operation

1 Shift the POWER switch to its ON position.



- If a stereo amplifier is connected to this unit, always turn its power ON very last.

2 Use the INPUT SELECTOR knob to set the input source.



The indicator for the selected input source lights.

- If the input signal is not a digital audio signal or is an audio signal format that is not supported by this unit, such as Dolby Digital, DTS or AAC, “NOT AUDIO!” will appear on the screen and no audio will be output. Set the digital output of the connected device to PCM audio output.
- To use a computer running a Windows OS to play back audio files when this unit is set to “USB”, you must first install a dedicated driver on the computer before connecting them (page 13).
- DSD data can only be played back via USB.

3 Operate the playback device.

Refer to the operation manual of that device.

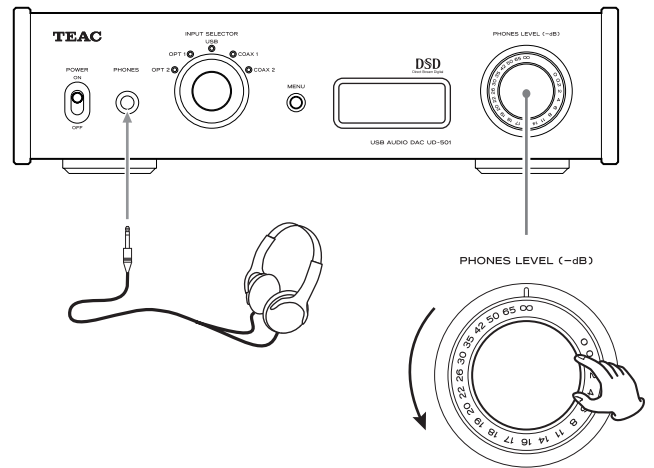
4 Adjust the volume.

Use the stereo amplifier or other device connected to this unit to adjust the volume

When using headphones connected to this unit, turn the PHONES LEVEL knob to adjust the volume.

When using headphones

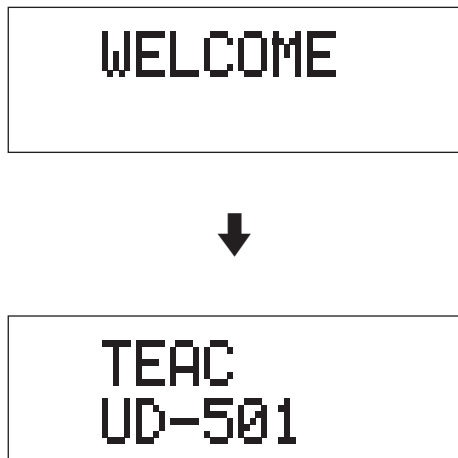
Before connecting headphones to this unit, turn the PHONES LEVEL knob counterclockwise to minimize the volume.



$-\infty$ dB: Minimum volume
0 dB: Maximum volume

Display (1)

When the POWER is turned ON

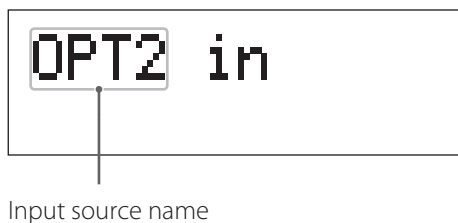


After the above messages appear, the input source will be shown on the display.

When selecting an input source

The name of the input source is shown on the display when you change input source.

Example: when OPT2 is selected



Error indications

When the unit cannot lock the input signal, an "UNLOCK!" error message blinks on the screen.

Example

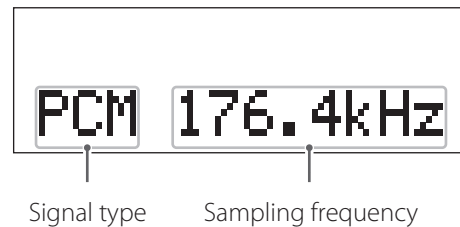


Input source information display

During PCM audio input

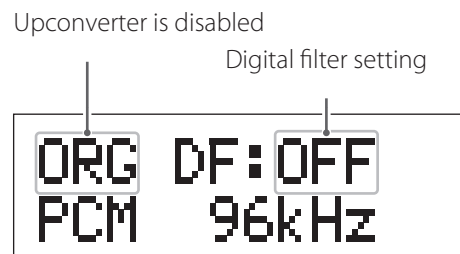
When MODE DISP=OFF

Example



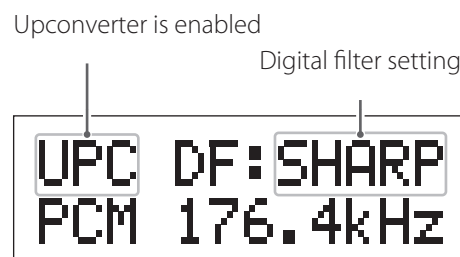
When MODE DISP=ON, UPCONV=OFF, DF=OFF

Example



When MODE DISP=ON, UPCONV=ON, DF=SHARP

Example



When the input signal is locked at 352.8 kHz

Example



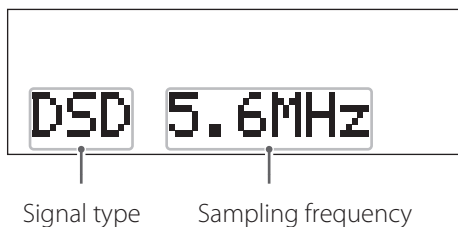
- When the input signal is locked at 352.8 kHz or 384 kHz, the upconverter and PCM digital filter are bypassed, so MODE DISP, UPCONV and DF will not be shown regardless of their settings.

Display (2)

During DSD audio input

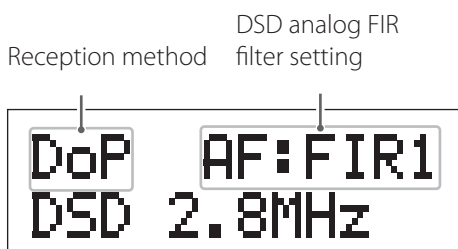
When MODE DISP=OFF

Example



When MODE DISP=ON, DSD AF=FIR1

Example



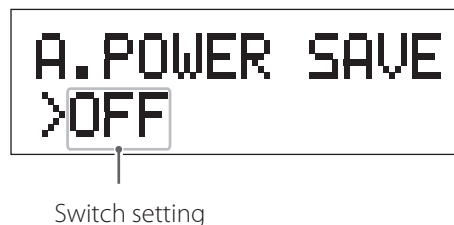
Reception method

Nothing shown: DSD received without conversion (native)

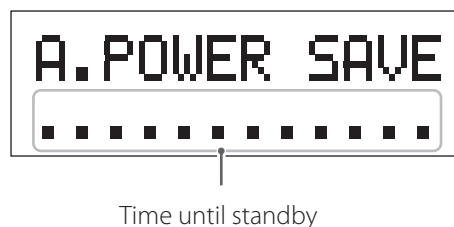
DoP: DSD signal received by DoP (DSD over PCM) method

Automatic power saving status

When you shift the AUTO POWER SAVE switch on the rear panel of the unit, the new setting is shown for about 2 seconds.



12 seconds before the automatic power saving function puts the unit in standby mode, a countdown is shown on the display.



One dot disappears each second until they have all disappeared and the unit enters standby.

Playing back music on a computer (1)

Installing the driver on a computer

When using Mac OS X

This unit can be used with the following Mac OS:

- Mac OS X 10.6 (Snow Leopard)
(Mac OS X 10.6.4 or later)
- Mac OS X 10.7 (Lion)
- Mac OS X 10.8 (Mountain Lion)
(As of October, 2012)

This unit will run with the standard OS driver, so there is no need to install a special driver.

When using Windows OS

Installing the driver on the computer

In order for this unit to play back audio files stored on a computer, you must first install a driver on the computer. Please download this driver from the following web address.

Driver software download page

http://www.teac.co.jp/audio/software_teac_e.html

USB connection is supported on Windows computers running Windows XP, Windows Vista, and Windows 7. Compatibility with other operating systems is not guaranteed.

CAUTION

Install the driver before connecting the unit with the computer by USB.

If you connect this unit with a computer before installing the driver, it will not work properly. Moreover, if the computer is running Windows XP, its operation could become noticeably slower, requiring it to be restarted.

- For instructions about driver installation procedures, please see our download page.
- Depending on the combination of hardware and software, proper operation might not be possible even with the above operating systems.

About the transmission mode

This unit connects using high-speed asynchronous mode. Transmittable sampling frequencies are 44.1 kHz, 48 kHz, 88.2 kHz, 96 kHz, 176.4 kHz and 192 kHz.

When properly connected, you will be able to select "TEAC USB AUDIO DEVICE" as an audio output from the computer OS.

- In asynchronous mode, the audio data sent from the computer is processed using this unit's clock, allowing data transmission jitter to be reduced.

Downloading playback applications

If you need, you can download free playback application software that supports DSD files (Mac and Windows versions) from the following TEAC web page.

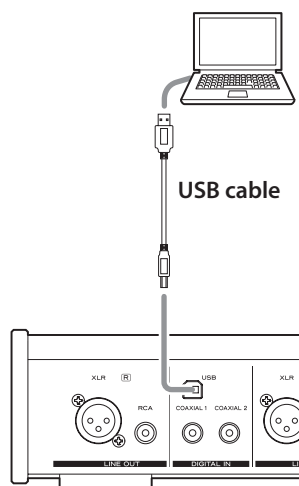
Application software download page

http://www.teac.co.jp/audio/software_teac_e.html

Playing back music on a computer (2)

Playing back audio files on a computer

- 1** Connect this unit to a computer using a USB cable.

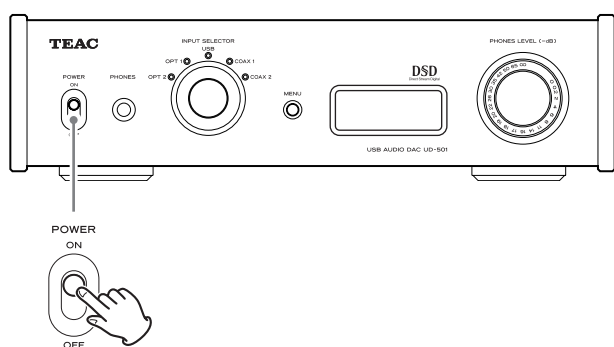


- Use a cable with a connector that matches that of this unit.

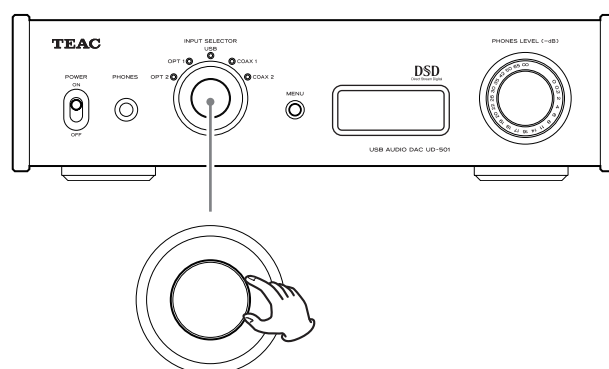
- 2** Turn the computer power on.

- Confirm that the operating system has started properly.

- 3** Press the POWER button to turn this unit on.



- 4** Turn the INPUT SELECTOR knob to select "USB".



- 5** Start playback of an audio file on the computer.

By maximizing the output volume from the computer and adjusting the volume output from the stereo amplifier, better sound quality can be achieved.

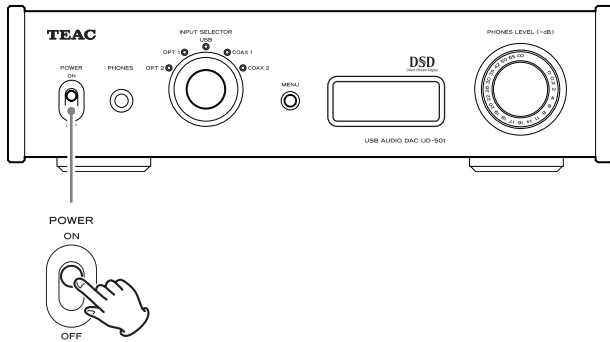
Minimize the stereo amplifier volume before beginning playback. Then, gradually increase it.

When using headphones with this unit, turn the PHONES LEVEL knob counterclockwise to minimize the volume before starting playback. Then, gradually increase it.

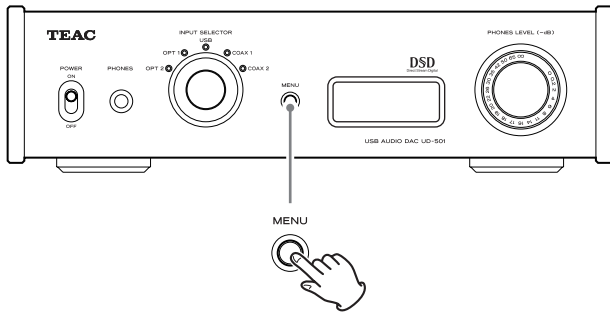
- The computer cannot control this unit, nor can this unit control the computer.
- Do not do any of the following when playing back an audio file via USB. Doing so could cause the computer to malfunction. Always quit the music playback software before doing any of the following.
 - Unplugging the USB cable
 - Turning this unit's power off
 - Changing the current input selection
- When playing back an audio file via USB, computer operation sounds will also be output. If you do not want these sounds to be output, make appropriate settings on the computer to turn them off.
- If you connect this unit with the computer or change its input to "USB" after starting the music playback software, audio files might not play back correctly. If this should occur, restart the audio playback software or restart the computer.

Settings (1)

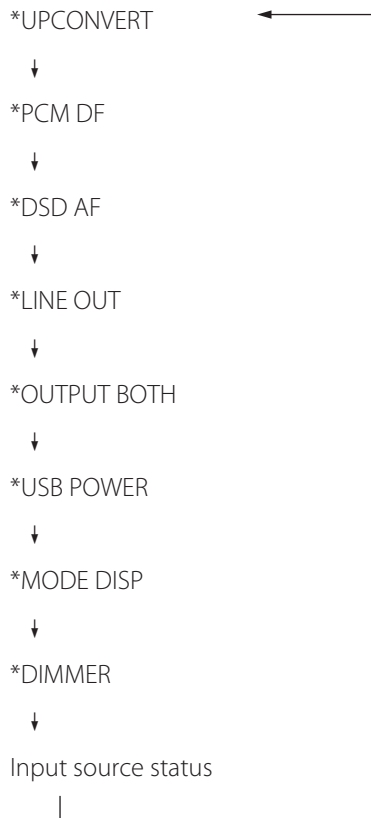
1 Press the POWER button to turn this unit on.



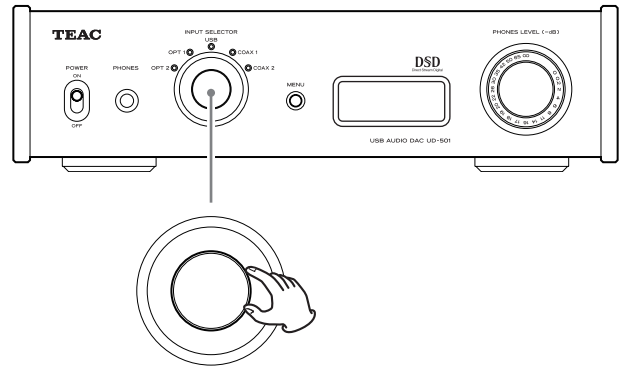
2 Press the MENU button to show the setting items.



Press the MENU repeatedly to cycle through the menu items as shown below.

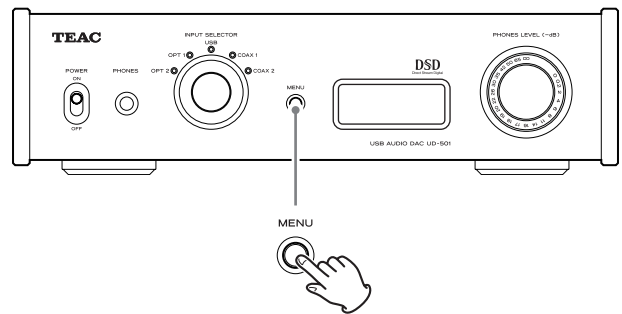


3 Turn the INPUT SELECTOR knob to change the setting value.



- The currently set value is shown on the display.

4 When you are done changing settings, press the MENU button to show the input source again.



- If you do not do anything for 10 seconds, the display will return to showing the input source.
- You can also press the MENU for 2 seconds or longer to show the input source.

Settings (2)

Upconverter

```
*UPCONVERT  
>OFF
```

Use to activate the upconversion circuit when receiving PCM format signals.

OFF

Disable the upconverter.

ON

Enable the upconverter.

D/D upconversion to 192 kHz of PCM signals with sampling frequencies of less than 192 kHz is followed by D/A conversion.

PCM digital filter

```
*PCM DF  
>OFF
```

Use to set the digital filter when receiving PCM format signals.

OFF

Disable the digital filter.

SHARP

Use a digital filter with a sharp rolloff.

SLOW

Use a digital filter with a slow rolloff.

- When receiving signals at 352.8 kHz or 384 kHz, the digital filter will be disabled during playback regardless of this setting.

DSD analog FIR filter

```
*DSD AF  
>FIR2
```

Use to set the analog filter used when receiving DSD format signals.

FIR1

$f_c=185$ kHz, Gain= -6.6 dB

FIR2

$f_c=90$ kHz, Gain= $+0.3$ dB

FIR3

$f_c=85$ kHz, Gain= -1.5 dB

FIR4

$f_c=94$ kHz, Gain= -3.3 dB

NOTE

fc: Cutoff frequency

Gain: Filter stage gain

Line output

```
*LINE OUT  
>RCA
```

Use to select the analog audio output connectors used.

RCA

Output through the RCA jacks.

XLR2

Output through the XLR connectors with 2: HOT polarity.

XLR3

Output through the XLR connectors with 3: HOT polarity.

Simultaneous headphones and line output

```
*OUTPUT BOTH
>OFF
```

OFF

Simultaneous output is not possible.

When you connect headphones, the analog audio outputs will be disabled.

ON

Simultaneous output is possible.

Even when you connect headphones, the analog audio outputs stay enabled.

USB input circuit power

```
*USB POWER
>AUTO
```

AUTO

The USB port is powered only when the input is USB. When any other input is active, the USB port is not powered.

ON

The USB port is always powered.

Setting mode (UPCONV, DF, AF) display

```
*MODE DISP
>OFF
```

Use to set whether or not the setting mode (upconverter, filter, DSD reception method, etc) is also shown when the input source is shown on the display.

OFF

Setting mode not shown.

ON

Setting mode shown.

Display brightness

```
*DIMMER
>DIM3
```

DIM3

Ordinary brightness

DIM2

Slightly dim

DIM1

Even dimmer

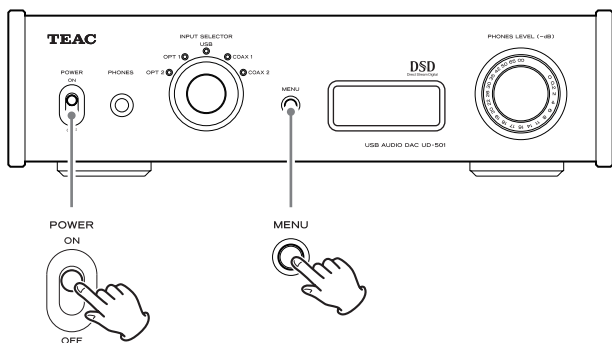
DISP OFF

Display off

Settings (3)

Restoring settings to their factory defaults

While pressing and holding the **MENU** button, set the **POWER** switch to **ON**.



- Press and hold the **MENU** button until “**SETUP CLR**” appears on the display. The factory default settings are the setting values shown in the screen images used in the explanations in this manual.

Troubleshooting

If you experience a problem with this unit, please check the following items before requesting service. If it still does not operate correctly, contact the retailer where you purchased the unit or TEAC customer support (see the back cover for contact information).

General

The power will not turn on.

- ➔ Check that the power cord is completely plugged into the power outlet. If the outlet is switched, confirm that the switch is in the **ON** position.
- ➔ Connect a different electrical device to the outlet to confirm that it is supplying power.
- ➔ If the automatic power saving function has caused the unit to enter standby, turn the **INPUT** knob or press the **MENU** button to turn the power **ON** again.

No sound is output.

- ➔ If a stereo amplifier is connected to this unit, adjust its volume.
If you are using headphones connected to this unit, use the **PHONES LEVEL** knob to adjust the volume.
- ➔ Use the **INPUT SELECTOR** knob to select the input that is connected to the source that you want to hear.
- ➔ Reconfirm the connections with other equipment.

There is a humming noise.

- ➔ If a connecting cable is near a power cord, fluorescent light or similar cause of interference, increase the distance between them as much as possible.

There is no sound from one side of the headphones.

- ➔ Confirm that the headphones plug is inserted completely.

Connections with a computer**Computer does not recognize this unit.**

- ➔ This unit can be connected with computers running the following operating systems.

Apple Macintosh

Mac OS X 10.6 (Snow Leopard)

(Mac OS X 10.6.4 or later)

Mac OS X 10.7 (Lion)

Mac OS X 10.8 (Mountain Lion)

(As of October, 2012)

- Functions with the standard OS driver.

Microsoft Windows

Windows XP (32/64-bit)

Windows Vista (32/64-bit)

Windows 7 (32/64-bit)

- Requires installation of a dedicated driver (page 13).

Operation with other operating systems cannot be guaranteed.

Noise occurs.

- ➔ Starting other applications during playback of a music file may interrupt playback or cause noise. Do not start other applications during playback.
- ➔ When the unit is connected to a computer via a USB hub, for example, noise might be heard. If this occurs, connect the unit directly to the computer.

Audio files cannot be played back.

- ➔ Connect the computer with this unit and switch to "USB" before starting the music playback software and music file playback.
If you connect this unit and the computer, or switch the input to USB after launching the music playback software, the audio data might not play back properly.

Since this unit uses a microcontroller, external noise and other interference can cause the unit to malfunction. If this should occur, unplug the unit's power from the outlet and wait a little while before plugging the power in again and retrying the operation.

Specifications

Analog audio outputs

Connectors ······ XLR jacks × 1 pair
RCA jacks × 1 pair

Output impedance ······ XLR: 88 Ω
RCA: 22 Ω

Maximum output level (1/full-scale, into 10 kΩ)
XLR: 4.0 Vrms
RCA: 2.0 Vrms

Frequency range ······ 5 Hz – 80 kHz (–3 dB)

S/N ratio ······ 115 dB

Distortion ······ 0.0015% (1 kHz)

Headphones output

Connector ······ Standard 6.3 mm stereo jack

Maximum output ······ 100 mW + 100 mW (into 32 Ω)

Digital audio inputs

COAXIAL digital ······ RCA jacks × 2 (0.5 Vp-p/75 Ω)

OPTICAL digital ······ Optical digital connectors × 2
(–24.0 to –14.5 dBm peak)

USB ······ Type B connector × 1
(USB 2.0 compliant)

PCM data sampling frequency

COAXIAL digital ······ 32 kHz, 44.1 kHz, 48 kHz, 88.2 kHz,
96 kHz, 176.4 kHz, 192 kHz

OPTICAL digital ······ 32 kHz, 44.1 kHz, 48 kHz,
88.2 kHz, 96 kHz,

USB ······ 44.1 kHz, 48 kHz, 88.2 kHz, 96 kHz,
176.4 kHz, 192 kHz, 352.8 kHz, 384 kHz

Quantization bit rates

COAXIAL digital/OPTICAL digital ······ 16/24-bit

USB ······ 16/24/32-bit

DSD data sampling frequency

USB ······ 2.8/5.6 MHz

General

Power supply
Europe model ····· AC 220 – 240 V, 50 Hz
U.S.A./Canada model ····· AC 120 V, 60 Hz

Power consumption ····· 13 W

Standby power consumption ····· 0.1 W

External dimensions ····· 290 mm × 81.2 mm × 244 mm
(11 3/8" × 3 1/4" × 9 5/8")
(W × H × D including protrusions)

Weight ····· 4.0 kg (8 15/16 lb)

Operating temperature range ····· +5°C to +35°C

Operating humidity range ····· 5 – 85% (no condensation)

Storage temperature range ····· –20°C to +55°C

Included accessories

- Power cord × 1
- RCA audio cable × 1
- Owner's Manual (this document) × 1
- Warranty card × 1


- Specifications and appearance are subject to change without notice.
- Weight and dimensions are approximate.
- Illustrations in this owner's manual might differ slightly from production models.

INSTRUCTIONS DE SÉCURITÉ IMPORTANTES


- N'exposez pas cet appareil aux gouttes ni aux éclaboussures.
- Ne placez pas d'objet rempli de liquide sur l'appareil, comme par exemple un vase.
- N'installez pas cet appareil dans un espace confiné comme une bibliothèque ou un meuble similaire.
- L'appareil tire un courant nominal de veille de la prise secteur quand son interrupteur POWER ou STANDBY/ON n'est pas en position ON.
- L'appareil doit être placé suffisamment près de la prise de courant pour que vous puissiez à tout moment atteindre facilement la fiche du cordon d'alimentation.
- La fiche secteur est utilisée comme dispositif de déconnexion et doit donc toujours rester disponible.
- Les produits de Classe I sont équipés d'un cordon d'alimentation ayant une fiche de terre. Le cordon de ces produits doit être branché dans une prise de terre.
- Si le produit utilise des batteries (y compris un pack d'accus ou des piles), elles ne doivent pas être exposées au soleil, au feu ou à une chaleur excessive.
- PRÉCAUTION pour les produits utilisant des batteries au lithium remplaçables : il existe un danger d'explosion en cas de remplacement par un type de batterie incorrect. Remplacez-les uniquement par des modèles identiques ou équivalents.
- Des précautions doivent être prises pour l'emploi d'écouteurs ou d'un casque avec le produit car une pression acoustique (volume) excessive dans les écouteurs ou dans le casque peut provoquer une perte d'audition.

Pour les consommateurs européens

Mise au rebut des équipements électriques et électroniques

- (a) Tout équipement électrique et électronique doit être traité séparément de la collecte municipale d'ordures ménagères dans des points de collecte désignés par le gouvernement ou les autorités locales.
- (b) En vous débarrassant correctement des équipements électriques et électroniques, vous contribuerez à la sauvegarde de précieuses ressources et à la prévention de potentiels effets négatifs sur la santé humaine et l'environnement.
- (c) Le traitement incorrect des déchets d'équipements électriques et électroniques peut avoir des effets graves sur l'environnement et la santé humaine en raison de la présence de substances dangereuses dans les équipements.
- (d) Le symbole de déchets d'équipements électriques et électroniques (DEEE), qui représente une poubelle à roulettes barrée d'une croix, indique que l'équipement électrique et électronique doit être collecté et traité  séparément des déchets ménagers.
- (e) Des systèmes de retour et de collecte sont disponibles pour l'utilisateur final. Pour des informations plus détaillées sur la mise au rebut des vieux équipements électriques et électroniques, veuillez contacter votre mairie, le service d'ordures ménagères ou le magasin dans lequel vous avez acquis l'équipement.

Mise au rebut des batteries et/ou accumulateurs

- (a) Les batteries et/ou accumulateurs hors d'usage doivent être traités séparément de la collecte municipale d'ordures ménagères dans des points de collecte désignés par le gouvernement ou les autorités locales.
- (b) En vous débarrassant correctement des batteries et/ou accumulateurs hors d'usage, vous contribuerez à la sauvegarde de précieuses ressources et à la prévention de potentiels effets négatifs sur la santé humaine et l'environnement.
- (c) Le traitement incorrect des batteries et/ou accumulateurs hors d'usage peut avoir des effets graves sur l'environnement et la santé humaine car ils contiennent des substances dangereuses.
- (d) Le symbole de déchets d'équipements électriques et électroniques (DEEE), qui représente une poubelle à roulettes barrée d'une croix, indique que les batteries et/ou accumulateurs doivent être collectés et traités  **Pb, Hg, Cd** séparément des déchets ménagers.
Si une batterie ou un accumulateur contient plus que les valeurs spécifiées de plomb (Pb), mercure (Hg) et/ou cadmium (Cd) telles que définies dans la directive sur les batteries (2006/66/EC), alors les symboles chimiques de ces éléments seront indiqués sous le symbole DEEE.
- (e) Des systèmes de retour et de collecte sont disponibles pour l'utilisateur final. Pour des informations plus détaillées sur la mise au rebut des batteries et/ou accumulateurs, veuillez contacter votre mairie, le service d'ordures ménagères ou le magasin dans lequel vous les avez achetés.

Sommaire

Nous vous remercions d'avoir choisi TEAC. Lisez ce mode d'emploi avec attention pour tirer les meilleures performances de cette unité.

Éléments fournis.....	23
Avant l'utilisation	24
Entretien	24
Nomenclature et fonctions des parties.....	25
Branchement de l'équipement	26
Fonctionnement de base.....	28
Écran.....	29
Lecture de musique sur un ordinateur	31
Réglages	33
Guide de dépannage	36
Caractéristiques techniques.....	38

Éléments fournis

Vérifiez que l'emballage contient bien tous les éléments indiqués ci-dessous.

Veillez contacter le magasin dans lequel vous avez acheté cette unité si l'un de ces éléments manque ou a été endommagé durant le transport.

Cordon d'alimentation x 1

Câble audio RCA x 1

Mode d'emploi (ce document) x 1

- Conservez ce mode d'emploi dans un endroit sûr pour référence ultérieure.

Carte de garantie x 1

FR

Avant l'utilisation

Précautions de placement

- Ne posez rien sur l'unité.
- Évitez d'exposer l'unité directement au soleil et de la placer près d'une quelconque source de chaleur telle qu'un radiateur, une bouche de chauffage, une cheminée ou un amplificateur. Évitez aussi les endroits sujets aux vibrations ou exposés à une poussière excessive, au froid et à l'humidité.
- Placez l'unité sur une surface stable près du système audio que vous allez utiliser avec elle.
- Ne déplacez pas l'unité durant l'utilisation.
- La tension d'alimentation de l'unité doit correspondre à la tension imprimée sur son panneau arrière. Si vous avez des doutes à ce sujet, consultez un électricien.
- Il est possible que l'unité chauffe durant l'utilisation, laissez donc toujours un espace suffisant autour d'elle pour sa ventilation. Quand vous posez cette unité, positionnez-la pour qu'elle soit au moins à 3 cm des murs et autres appareils afin de permettre une bonne dissipation thermique. Si vous l'installez dans un rack, laissez au moins 5 cm de libre au-dessus de l'unité et 10 cm derrière elle.
- N'ouvrez pas le boîtier de l'unité car cela peut endommager le circuit ou causer un choc électrique. Si un objet étranger pénètre dans l'unité, consultez votre revendeur ou un service après-vente TEAC.
- Quand vous débranchez le cordon d'alimentation de la prise secteur, tirez toujours sur la prise, jamais sur le cordon.
- En fonction des ondes électromagnétiques de télédiffusion, des parasites peuvent apparaître sur les écrans de télévision quand cette unité est sous tension. Ce n'est pas un mauvais fonctionnement de cette unité ou du téléviseur. Si cela se produit, éteignez cette unité.

Entretien

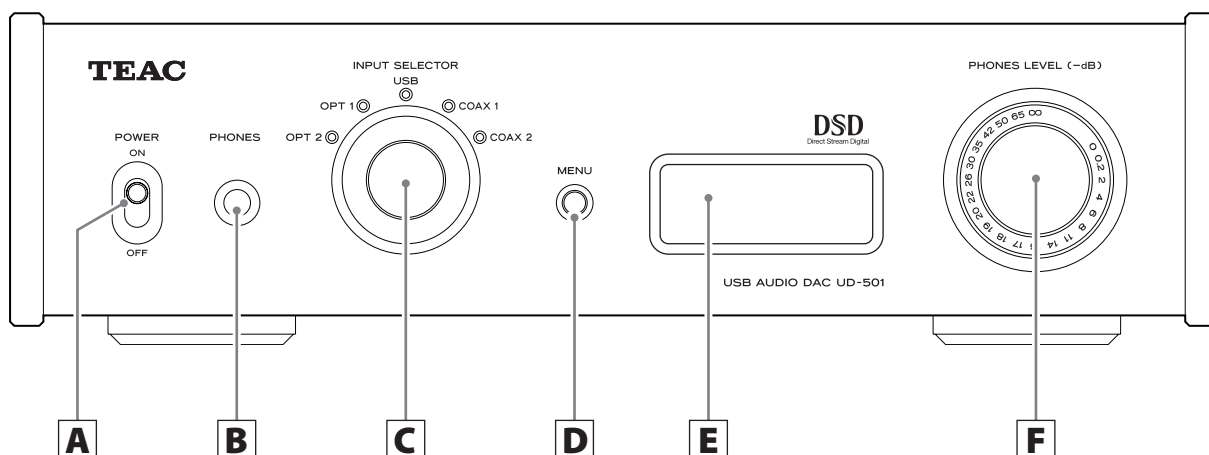
Si la surface de l'unité est sale, essuyez-la avec un chiffon sec et doux. Si l'unité est très sale, humidifiez légèrement un chiffon doux avec un détergent neutre dilué et essorez-le bien pour éliminer tout liquide excessif avant de vous en servir pour nettoyer l'unité.

Pour votre sécurité, débranchez le cordon d'alimentation de la prise secteur avant tout nettoyage.

- Ne vaporisez jamais du liquide directement sur l'unité.
- N'utilisez pas de diluant ni d'alcool car ils peuvent endommager la surface de l'unité.
- Évitez un contact prolongé de l'unité avec des matériaux caoutchouteux ou plastiques car ceux-ci peuvent endommager le boîtier.

Nomenclature et fonctions des parties

FR



A Interrupteur d'alimentation POWER

Sert à mettre sous et hors tension.

B Prise PHONES

Branchez ici un casque à fiche jack 6,35 mm stéréo standard.

C Bouton INPUT SELECTOR

Sert à sélectionner la source d'entrée. Le voyant de la source d'entrée sélectionnée s'allume.

Sert à changer les valeurs de réglage quand un paramètre de menu est affiché.

- Si vous tournez ce bouton alors que la fonction d'économie automatique d'énergie a fait passer l'unité en veille, l'unité se rallume.

D Touche MENU

Appuyez sur cette touche pour passer en mode de réglage (page 33).

- Si vous appuyez sur cette touche alors que la fonction d'économie automatique d'énergie a fait passer l'unité en veille, l'unité se rallume.

E Écran

Cet écran affiche des informations sur l'audio lu et des pages de menu.

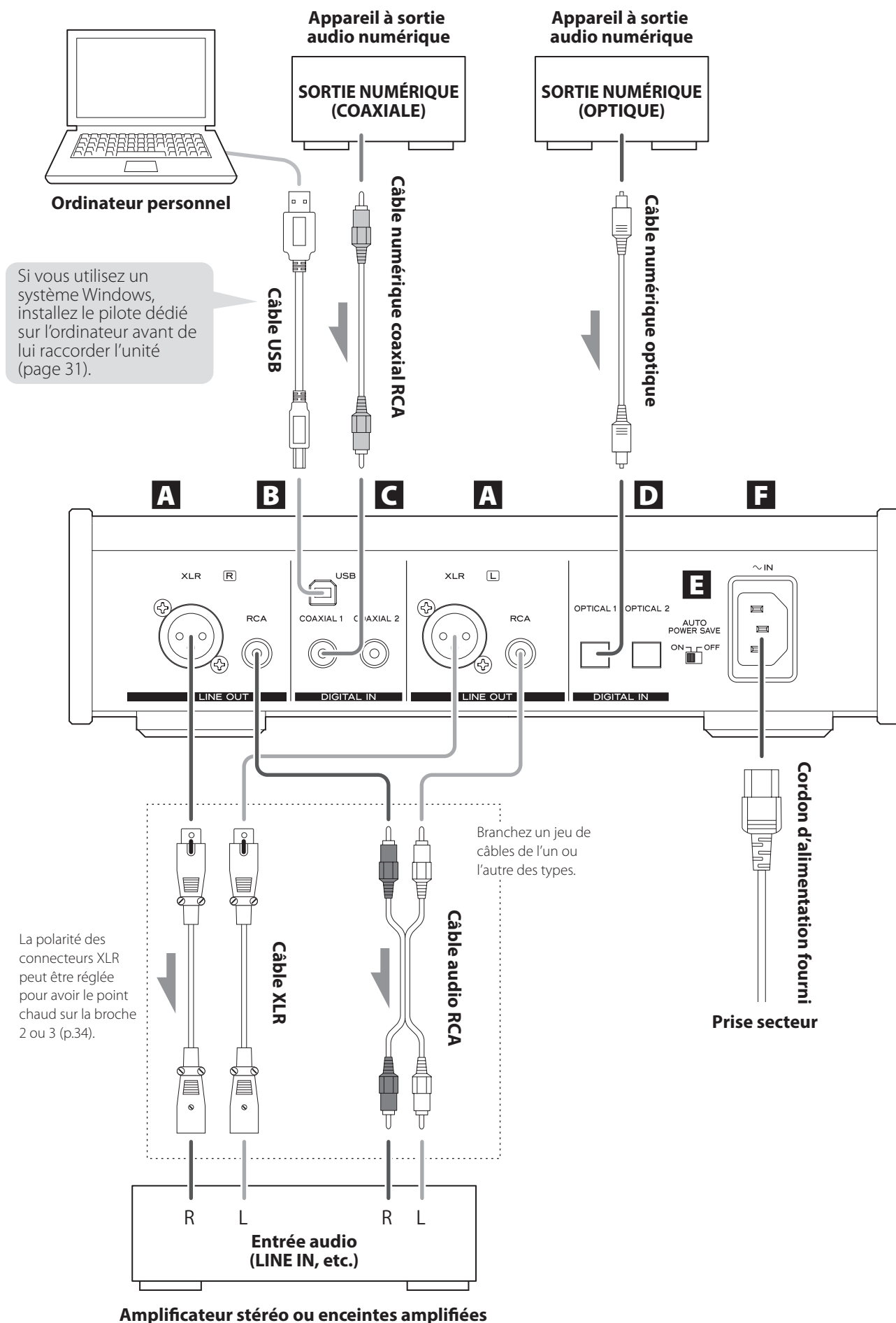
F Bouton PHONES LEVEL

Sert à régler le volume de sortie pour casque. Tournez-le vers la droite pour monter le volume et vers la gauche pour le baisser.

- Ce bouton ne règle pas le niveau de sortie par les prises de sortie analogique LINE OUT.

Le volume maximal est 0, et le volume minimal est $-\infty$ (moins l'infini). Si vous utilisez un casque, avant de mettre sous tension, utilisez le bouton PHONES LEVEL pour ramener le niveau de volume du casque à son minimum ($-\infty$). Ne pas le faire peut entraîner des bruits forts et soudains risquant d'altérer votre audition ou de causer d'autres problèmes.

Branchement de l'équipement



A Prises de sortie audio analogique (LINE OUT)

C'est la paire de sorties audio analogiques pour deux canaux. Reliez ces prises XLR et RCA aux amplificateurs stéréo ou enceintes amplifiées.

Faites ces connexions au moyen des câbles fournis ou de câbles du commerce.

XLR : câbles XLR symétriques
RCA : câble audio RCA

Reliez la prise R (droite) de cette unité à la prise R de l'amplificateur. De même, reliez la prise L (gauche) de cette unité à la prise L de l'amplificateur.



B Prise d'entrée USB (DIGITAL IN)

Sert à recevoir l'audio numérique d'un ordinateur. Reliez-la à la prise USB d'un ordinateur.

Pour le branchement, utilisez un câble USB du commerce.

ATTENTION

Avant de brancher un ordinateur fonctionnant sous système d'exploitation Windows, vous devez installer le pilote dédié sur l'ordinateur (page 31).

Une connexion correcte n'est pas possible avec un ordinateur sur lequel ce pilote n'a pas été installé.

C Prises d'entrée audio numérique coaxiale RCA (DIGITAL IN)

Servent à recevoir l'audio numérique. Branchez-y les prises de sortie audio numérique coaxiale d'appareils audio numériques.

Utilisez des câbles numériques coaxiaux RCA du commerce pour faire les connexions.

D Prises d'entrée audio numérique optique

Servent à recevoir l'audio numérique. Branchez-y les prises de sortie audio numérique optique d'appareils audio numériques.

Utilisez des câbles numériques optiques du commerce pour faire les connexions.

E Commutateur AUTO POWER SAVE

Sert à mettre en ou hors service la fonction d'économie automatique d'énergie. Sur ON, l'unité passe automatiquement en mode de veille si elle reste au moins 30 minutes sans rien recevoir en entrée numérique.

- Pour rallumer l'unité passée en mode de veille, appuyez sur la touche MENU, tournez le bouton INPUT SELECTOR ou basculez l'interrupteur d'alimentation POWER sur OFF avant de le ramener sur ON.
- Attendez quelques secondes après avoir basculé l'interrupteur d'alimentation POWER sur OFF avant de le ramener sur ON.

F Prise d'entrée secteur (~IN)

Branchez ici le cordon d'alimentation fourni. Après avoir terminé tous les autres branchements, insérez la fiche du cordon d'alimentation dans une prise secteur.

Débranchez le cordon de la prise secteur en cas de non-utilisation prolongée de l'unité.

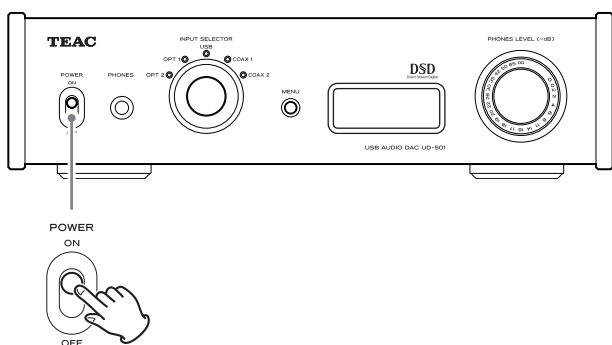
- ⚠ N'utilisez que le cordon d'alimentation fourni. L'emploi d'un autre cordon peut entraîner un incendie ou un choc électrique.

⚠ Ne mettez sous tension qu'une fois toutes les connexions effectuées.

- Lisez attentivement les modes d'emploi des appareils que vous branchez et suivez leurs instructions quand vous faites les branchements.
- Ne regroupez pas les câbles de connexion avec des cordons d'alimentation. Cela pourrait entraîner des bruits.
- Branchez à fond toutes les fiches.

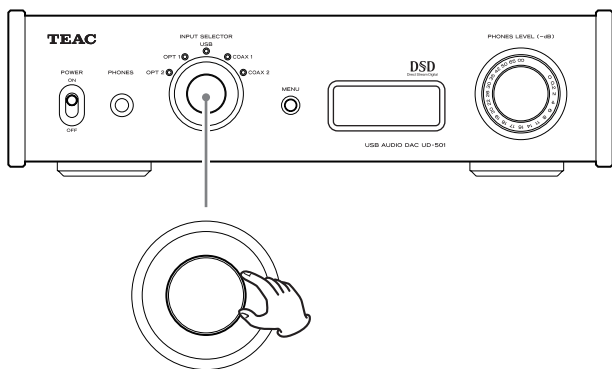
Fonctionnement de base

1 Basculez l'interrupteur d'alimentation POWER en position ON.



- Si un amplificateur stéréo est connecté à cette unité, allumez-le toujours en tout dernier.

2 Utilisez le bouton INPUT SELECTOR pour choisir la source d'entrée.



Le voyant de la source d'entrée sélectionnée s'allume.

- Si le signal entrant n'est pas un signal audio numérique ou est à un format non pris en charge par cette unité, comme du Dolby Digital, DTS ou AAC, « NOT AUDIO! » apparaît à l'écran et aucun signal audio n'est produit. Réglez la sortie numérique de l'appareil connecté pour une sortie audio PCM.
- Pour employer un ordinateur fonctionnant sous système d'exploitation (OS) Windows afin de lire des fichiers audio quand cette unité est réglée sur « USB », vous devez installer un pilote dédié sur l'ordinateur avant de les relier (page 31).
- Les données DSD ne peuvent être lues que par USB.

3 Faites jouer l'appareil source.

Référez-vous au mode d'emploi de cet appareil.

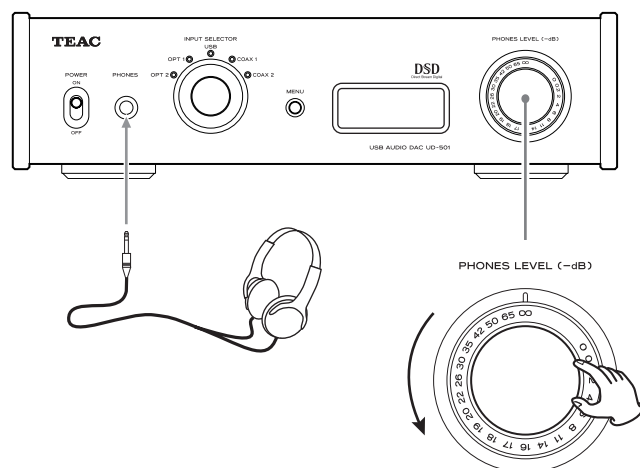
4 Réglez le volume.

Utilisez l'amplificateur stéréo ou l'autre appareil connecté à cette unité pour régler le volume.

Si vous avez branché un casque à cette unité, réglez son volume en tournant le bouton PHONES LEVEL.

Si vous utilisez un casque

Avant de brancher un casque à cette unité, tournez le bouton PHONES LEVEL dans le sens anti-horaire pour minimiser le volume.



−∞ dB : volume minimal
0 dB : volume maximal

À la mise sous tension

WELCOME



TEAC
UD-501

Après l'apparition des messages ci-dessus, la source d'entrée s'affiche à l'écran.

À la sélection d'une source d'entrée

Le nom de la source d'entrée s'affiche à l'écran quand vous en changez.

Exemple : quand OPT2 est sélectionnée

OPT2 in

Nom de la source d'entrée

Indications d'erreur

Si l'unité ne parvient pas à verrouiller le signal d'entrée, un message d'erreur « UNLOCK! » clignote à l'écran.

Exemple

OPT1
UNLOCK!

Affichage d'informations sur la source d'entrée

Durant l'entrée d'audio PCM

Quand MODE DISP = OFF

Exemple

PCM 176.4kHz

Type de signal Fréq. d'échantillonnage

Quand MODE DISP = ON, UPCONV = OFF, DF = OFF

Exemple

ORG DF:OFF
PCM 96kHz

Convertisseur ascendant désactivé
Réglage du filtre numérique

Quand MODE DISP = ON, UPCONV = ON, DF = SHARP

Exemple

UPC DF:SHARP
PCM 176.4kHz

Convertisseur ascendant activé
Réglage du filtre numérique

Quand le signal d'entrée est verrouillé à 352,8 kHz

Exemple

PCM 352.8kHz

- Quand le signal d'entrée est verrouillé à 352,8 kHz ou 384 kHz, le convertisseur ascendant et le filtre numérique PCM sont court-circuités, donc MODE DISP, UPCONV et DF ne s'afficheront pas, quels que soient leurs réglages.

Durant l'entrée d'audio DSD

Quand MODE DISP = OFF

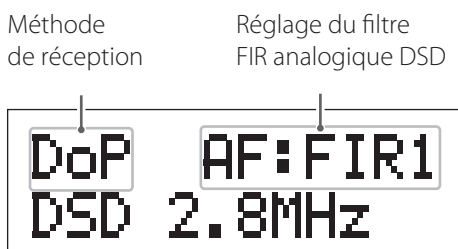
Exemple



Type de signal Fréq. d'échantillonnage

Quand MODE DISP=ON, DSD AF=FIR1

Exemple



Méthode
de réception

Réglage du filtre
FIR analogique DSD

Méthode de réception

Rien d'affiché : DSD reçu sans conversion (natif)

DoP : signal DSD reçu par méthode DoP (DSD par PCM)

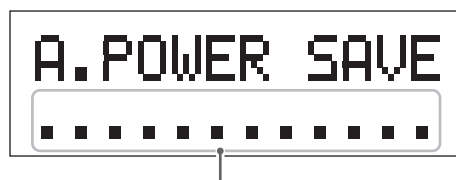
Statut de l'économiseur d'énergie

Quand vous basculez le commutateur AUTO POWER SAVE en face arrière de l'unité, le nouveau réglage s'affiche durant environ 2 secondes.



Nouveau réglage

12 secondes avant que la fonction d'économie automatique d'énergie ne fasse passer l'unité en mode de veille, un compte à rebours s'affiche.



Temps avant mise en veille

Un point disparaît chaque seconde jusqu'à ce qu'ils aient tous disparu et l'unité passe alors en veille.

Installation du pilote sur un ordinateur

Avec Mac OS X

Cette unité peut être utilisée avec les versions suivantes de Mac OS :

Mac OS X 10.6 (Snow Leopard)

(Mac OS X 10.6.4 ou ultérieur)

Mac OS 10.7 (Lion)

Mac OS X 10.8 (Mountain Lion)

(en date d'octobre 2012)

Cette unité fonctionnera avec le pilote standard du système d'exploitation (OS), donc il n'y a pas besoin d'installer un pilote spécial.

Avec Windows OS

Installation du pilote sur l'ordinateur

Pour que cette unité puisse lire les fichiers audio conservés sur un ordinateur, vous devez d'abord installer un pilote sur l'ordinateur. Veuillez télécharger ce pilote à l'adresse web suivante.

Page de téléchargement du pilote logiciel

http://www.teac.co.jp/audio/software_teac_e.html

La connexion USB est prise en charge sur les ordinateurs sous Windows XP, Windows Vista et Windows 7. La compatibilité avec d'autres systèmes d'exploitation n'est pas garantie.

ATTENTION

Installez le pilote avant de relier l'unité à l'ordinateur par USB.

Si vous connectez cette unité à l'ordinateur avant d'installer le pilote, elle ne fonctionnera pas correctement. De plus, si l'ordinateur utilise Windows XP, son fonctionnement deviendra nettement plus lent, ce qui nécessite de le faire redémarrer.

- Pour des instructions sur les procédures d'installation du pilote, veuillez consulter notre page de téléchargement.

- Selon la combinaison ordinateur et logiciel, un bon fonctionnement peut ne pas être possible même avec les systèmes d'exploitation ci-dessus.

À propos du mode de transmission

Cette unité se connecte en mode asynchrone haute vitesse.

Les fréquences d'échantillonnage transmissibles sont 44,1 kHz, 48 kHz, 88,2 kHz, 96 kHz, 176,4 kHz et 192 kHz.

Quand la connexion est correcte, vous pouvez sélectionner « TEAC USB AUDIO DEVICE » comme sortie audio dans le système d'exploitation de l'ordinateur.

- En mode asynchrone, les données audio envoyées depuis l'ordinateur sont traitées au moyen de l'horloge de cette unité, ce qui permet de réduire la gigue de transmission des données.

Téléchargement d'applications de lecture

Si vous en avez besoin, vous pouvez gratuitement télécharger un logiciel de lecture prenant en charge les fichiers DSD (versions Mac et Windows) depuis la page web TEAC suivante.

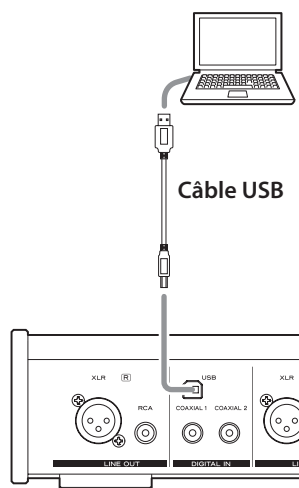
Page de téléchargement du logiciel application

http://www.teac.co.jp/audio/software_teac_e.html

Lecture de musique sur un ordinateur (2)

Lecture de fichiers audio sur un ordinateur

1 Branchez cette unité à l'ordinateur à l'aide d'un câble USB.

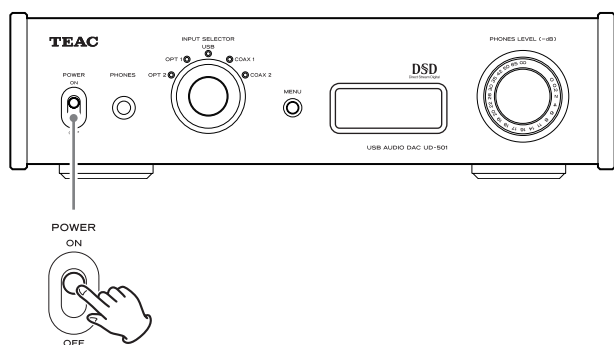


- Utilisez un câble ayant une fiche qui correspond à la prise de cette unité.

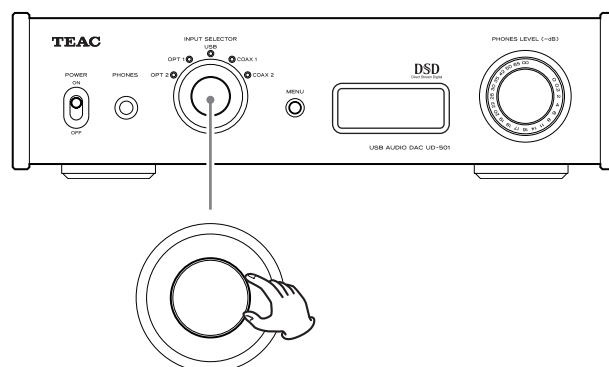
2 Mettez l'ordinateur sous tension.

- Vérifiez que son système d'exploitation a normalement démarré.

3 Basculez l'interrupteur d'alimentation POWER pour allumer cette unité.



4 Tournez le bouton INPUT SELECTOR afin de sélectionner « USB ».



5 Lancez la lecture d'un fichier audio sur l'ordinateur.

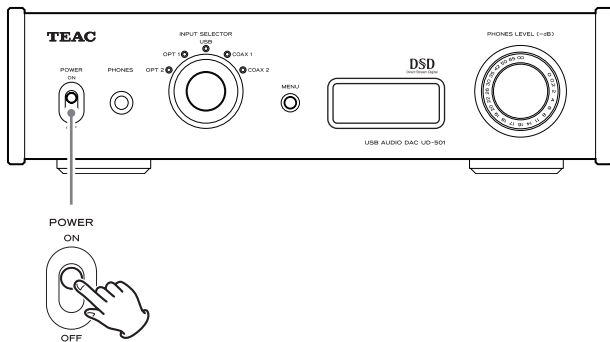
Une meilleure qualité sonore peut être obtenue en réglant au maximum le volume sur l'ordinateur et en réglant le volume final sur l'amplificateur stéréo.

Minimisez le volume de l'amplificateur stéréo avant de lancer la lecture. Puis montez-le progressivement. Si vous utilisez un casque avec cette unité, tournez le bouton PHONES LEVEL dans le sens anti-horaire pour minimiser le volume avant de lancer la lecture. Puis montez-le progressivement.

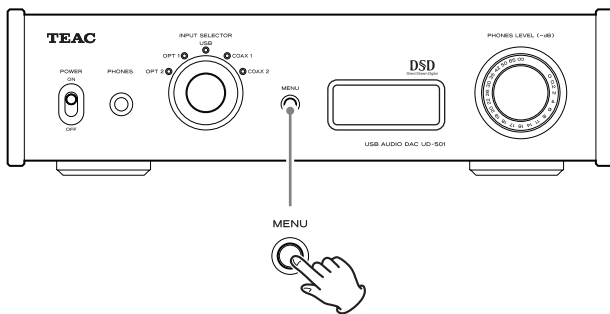
- L'ordinateur ne peut pas contrôler cette unité et cette unité ne peut pas contrôler l'ordinateur.
- N'essayez aucune des opérations suivantes pendant la lecture d'un fichier audio par USB. Cela pourrait entraîner un mauvais fonctionnement de l'ordinateur. Quittez toujours le logiciel de lecture de musique avant d'entamer une des actions suivantes.
 - Débrancher le câble USB
 - Éteindre cette unité
 - Changer la sélection d'entrée actuelle
- Lors de la lecture d'un fichier audio par USB, les sons du système de l'ordinateur seront aussi produits. Si vous ne souhaitez pas que ces sons soient produits, faites les réglages appropriés sur l'ordinateur pour les couper.
- Si vous branchez cette unité à l'ordinateur ou si vous réglez son entrée sur « USB » après avoir lancé le logiciel de lecture de musique, les fichiers audio peuvent ne pas être lus correctement. Si cela se produit, faites redémarrer le logiciel de lecture audio ou l'ordinateur.

Réglages (1)

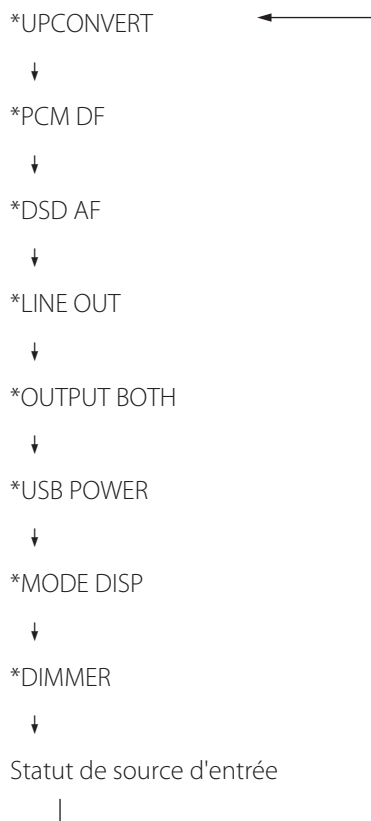
- 1** Basculez l'interrupteur d'alimentation **POWER** pour allumer cette unité.



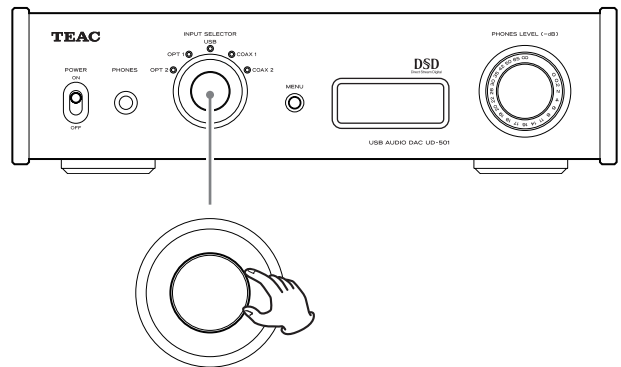
- 2** Appuyez sur la touche **MENU** pour afficher les paramètres de réglage.



Appuyez plusieurs fois sur la touche MENU pour faire défiler les paramètres de menu comme ci-dessous.

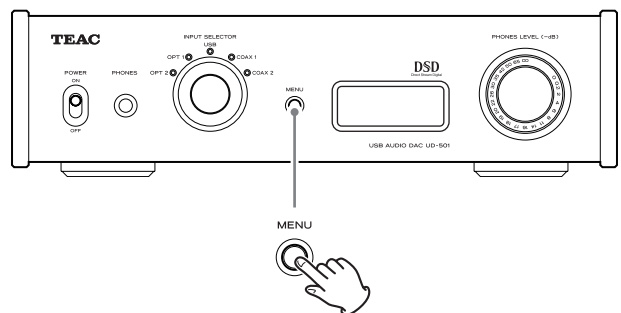


- 3** Tournez le bouton **INPUT SELECTOR** pour changer la valeur de réglage.



- La valeur actuellement réglée s'affiche à l'écran.

- 4** Une fois vos réglages finis, appuyez sur la touche **MENU** pour réafficher la source d'entrée.



- Si vous ne faites rien durant 10 secondes, l'écran retourne à l'affichage de la source d'entrée.
- Vous pouvez aussi maintenir la touche MENU pressée au moins 2 secondes pour afficher la source d'entrée.

Réglages (2)

Convertisseur ascendant

```
*UPCONVERT  
>OFF
```

Sert à activer le circuit de conversion ascendante quand des signaux au format PCM sont reçus.

OFF

Désactive le convertisseur ascendant.

ON

Active le convertisseur ascendant.

La conversion ascendante N/N en 192 kHz de signaux PCM ayant une fréquence d'échantillonnage inférieure à 192 kHz est suivie par la conversion N/A.

Filtre numérique PCM

```
*PCM DF  
>OFF
```

Sert à régler le filtre numérique quand des signaux au format PCM sont reçus.

OFF

Désactive le filtre numérique.

SHARP

Met en service un filtre numérique avec une pente abrupte.

SLOW

Met en service un filtre numérique avec une pente douce.

- Quand des signaux à 352,8 kHz ou 384 kHz sont reçus, le filtre numérique est désactivé durant la lecture quel que soit ce réglage.

Filtre RIF analogique DSD

```
*DSD AF  
>FIR2
```

Sert à régler le filtre analogique utilisé quand des signaux au format DSD sont reçus.

FIR1

$f_c = 185$ kHz, Gain = -6,6 dB

FIR2

$f_c = 90$ kHz, Gain = +0,3 dB

FIR3

$f_c = 85$ kHz, Gain = -1,5 dB

FIR4

$f_c = 94$ kHz, Gain = -3,3 dB

NOTE

f_c : fréquence de coupure

Gain : gain de l'étage de filtrage

Sortie ligne

```
*LINE OUT  
>RCA
```

Sert à sélectionner les prises de sortie audio analogique utilisées.

RCA

Sortie par les prises RCA.

XLR2

Sortie par les prises XLR avec point chaud sur la broche 2.

XLR3

Sortie par les prises XLR avec point chaud sur la broche 3.

Sorties ligne et casque simultanées

```
*OUTPUT BOTH  
>OFF
```

OFF

La sortie simultanée n'est pas possible.

Quand vous branchez un casque, les sorties audio analogiques sont coupées.

ON

La sortie simultanée est possible.

Même si vous branchez un casque, les sorties audio analogiques restent en service.

Alimentation du circuit d'entrée USB

```
*USB POWER  
>AUTO
```

AUTO

Le port USB n'est alimenté que si l'entrée sélectionnée est l'USB. Quand une autre entrée est active, le port USB n'est pas alimenté.

ON

Le port USB est toujours alimenté.

Affichage du mode de réglage (UPCONV, DF, AF)

```
*MODE DISP  
>OFF
```

Sert à déterminer si le mode de réglage (convertisseur ascendant, filtre, méthode de réception DSD etc.) est aussi affiché quand la source d'entrée est à l'écran.

OFF

Le mode de réglage n'est pas affiché.

ON

Le mode de réglage est affiché.

Luminosité de l'écran

```
*DIMMER  
>DIM3
```

DIM3

Luminosité ordinaire

DIM2

Légèrement atténuée

DIM1

Plus atténuée

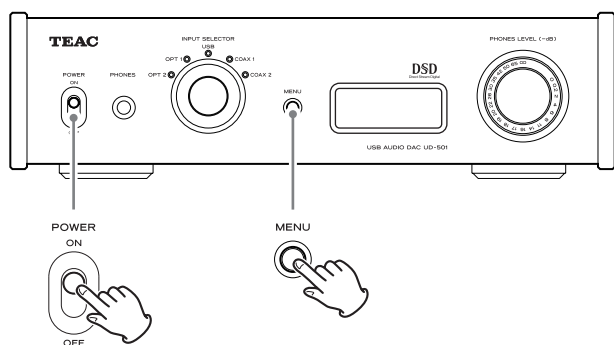
DISP OFF

Pas d'affichage

Réglages (3)

Restauration des réglages d'usine par défaut

En maintenant pressée la touche MENU, basculez l'interrupteur d'alimentation POWER sur ON.



- Maintenez la touche MENU pressée jusqu'à ce que « Setup CLR » (effacement de la configuration) s'affiche à l'écran. Les réglages d'usine par défaut sont les valeurs de réglage qui apparaissent dans les images d'écran employées par ce mode d'emploi.

Guide de dépannage

Si vous avez des problèmes avec cette unité, veuillez vérifier les points suivants avant de demander une intervention. Si elle ne fonctionne toujours pas correctement, contactez le revendeur qui vous a vendu l'unité ou le service clientèle TEAC (coordonnées au dos).

Générales

L'unité ne s'allume pas.

- ➔ Vérifiez que le cordon d'alimentation est complètement enfoncé dans la prise secteur. Si la prise a un commutateur, vérifiez que celui-ci est en position ON.
- ➔ Branchez un autre appareil électrique à la prise pour vérifier qu'elle fournit bien du courant.
- ➔ Si la fonction d'économie automatique d'énergie a fait passer l'unité en veille, tournez le bouton INPUT SELECTOR ou appuyez sur la touche MENU pour rallumer l'unité.

Aucun son n'est produit.

- ➔ Si un amplificateur stéréo est branché à cette unité, réglez son volume. Si vous utilisez un casque branché à cette unité, utilisez le bouton PHONES LEVEL pour régler son volume.
- ➔ Avec INPUT SELECTOR, sélectionnez l'entrée à laquelle est branchée la source que vous désirez entendre.
- ➔ Re-vérifiez les branchements aux autres équipements.

Il y a un bruit de ronflement.

- ➔ Si un câble de liaison est proche d'un cordon d'alimentation, d'un éclairage fluorescent ou d'une cause de parasites similaire, écartez-les autant que possible l'un de l'autre.

Il n'y a pas de son d'un côté du casque.

- ➔ Vérifiez que la fiche du casque est enfoncée à fond.

Branchements à un ordinateur

L'ordinateur ne reconnaît pas cette unité.

- ➔ Cette unité peut être branchée à des ordinateurs ayant les systèmes d'exploitation suivants.

Apple Macintosh

Mac OS X 10.6 (Snow Leopard)

(Mac OS X 10.6.4 ou ultérieur)

Mac OS X 10.7 (Lion)

Mac OS X 10.8 (Mountain Lion)

(en date d'octobre 2012)

- Fonctionne avec le pilote standard du système d'exploitation.

Microsoft Windows

Windows XP (32/64 bits)

Windows Vista (32/64 bits)

Windows 7 (32/64 bits)

- Nécessite l'installation d'un pilote dédié (page 31).

Le fonctionnement avec d'autres systèmes d'exploitation n'est pas garanti.

Du bruit se produit.

- ➔ Lancer d'autres applications durant la lecture d'un fichier musical peut interrompre la lecture ou causer du bruit. Ne lancez pas d'autres applications durant la lecture.
- ➔ Quand l'unité est branchée à un ordinateur via un concentrateur (hub) USB, du bruit peut être entendu. Si cela se produit, branchez l'unité directement à l'ordinateur.

Les fichiers audio ne peuvent pas être lus.

- ➔ Connectez l'ordinateur et cette unité puis basculez sur l'entrée « USB » avant d'ouvrir le logiciel de lecture de musique et de lancer la lecture. Si vous branchez cette unité à l'ordinateur ou si vous réglez son entrée sur USB après avoir lancé le logiciel de lecture de musique, les données audio peuvent ne pas être lues correctement.

Comme cette unité utilise un microcontrôleur, du bruit ou d'autres interférences externes peuvent entraîner son mauvais fonctionnement. Si cela se produit, débranchez le cordon d'alimentation de la prise secteur et attendez un instant avant de le rebrancher puis essayez à nouveau l'opération.

Caractéristiques techniques

Sorties audio analogiques

Connecteurs Prises XLR × 1 paire
Prises RCA × 1 paire

Impédance de sortie XLR : 88 Ω
RCA : 22 Ω

Niveau maximal de sortie (1/pleine échelle, sous 10 kΩ)
XLR : 4,0 Vrms
RCA : 2,0 Vrms

Réponse en fréquence 5 Hz - 80 kHz (-3 dB)

Rapport signal/bruit 115 dB

Distorsion 0,0015 % (1 kHz)

Sortie casque

Connecteur Jack 6,3 mm stéréo standard

Sortie maximale 100 mW + 100 mW (sous 32 Ω)

Entrées audio numériques

Numérique COAXIAL Prises RCA × 2 (0,5 V_{c-c}/75 Ω)

Numérique OPTICAL Connecteurs numériques opt. × 2
(-24,0 à -14,5 dBm en crête)

USB Connecteur de type B × 1
(conforme USB 2.0)

Fréquence d'échantillonnage des données PCM

Numérique COAXIAL 32 kHz, 44,1 kHz, 48 kHz,
88,2 kHz, 96 kHz, 176,4 kHz, 192 kHz

Numérique OPTICAL 32 kHz, 44,1 kHz, 48 kHz,
88,2 kHz, 96 kHz

USB 44,1 kHz, 48 kHz, 88,2 kHz, 96 kHz,
176,4 kHz, 192 kHz, 352,8 kHz, 384 kHz

Résolution de quantification

Numérique COAXIAL/Numérique OPTICAL 16/24 bits

USB 16/24/32 bits

Fréquence d'échantillonnage des données DSD

USB 2,8/5,6 MHz

Générales

Alimentation électrique

Modèle EuropeCA 220 – 240 V, 50 Hz

Modèle U.S.A/CanadaCA 120 V, 60 Hz

Consommation électrique 13 W

Consommation en veille0,1 W

Dimensions externes 290 mm × 81,2 mm × 244 mm
(L × H × P hors tout)

Poids 4,0 kg

Température de fonctionnement +5°C à +35°C

Hygrométrie de fonctionnement 5 – 85%
(sans condensation)

Température de stockage -20°C à +55°C

Accessoires fournis

Cordon d'alimentation x 1

Câble audio RCA x 1

Mode d'emploi (ce document) x 1


Carte de garantie x 1

- Caractéristiques techniques et aspect sont sujets à changements sans préavis.
- Le poids et les dimensions sont des valeurs approchées.
- Les illustrations de ce mode d'emploi peuvent légèrement différer des modèles de production.


- No esponga este aparato a salpicaduras ni goteras.
- No coloque objetos que contengan líquidos, como por ejemplo jarrones, sobre el aparato.
- No instale este aparato en lugares cerrados tales como estanterías o similares.
- Este aparato libera corriente nominal no válida para el funcionamiento a través de la toma de corriente, aún cuando el interruptor de encendido y activación (POWER o STANDBY/ON) no esté en la posición de encendido (ON).
- Este aparato debe situarse lo suficientemente cerca de una toma de electricidad como para poder alcanzar fácilmente el cable de corriente en cualquier momento.
- El enchufe que se conecta a la red es el dispositivo de desconexión, por lo que deberá permanecer siempre en perfecto estado de uso.
- Los productos con construcción de Clase I están equipados con un cable de alimentación que tiene conexión de tierra. El cable de estos productos deberá conectarse a una toma de corriente que tenga conexión de protección de tierra.
- Si el producto utiliza pilas (esto incluye las pilas instaladas y los "packs" de pilas), se evitará su exposición directa al sol, al fuego o a cualquier otra fuente de calor excesivo.
- PRECAUCIÓN con los productos que emplean baterías de litio reemplazables: existe peligro de explosión si la batería se reemplaza por otra de tipo incorrecto. Reemplácela sólo por otra igual o de tipo equivalente.
- Deberá llevar cuidado si utiliza auriculares con este producto, ya que una excesiva presión sonora (volumen) procedente de los mismos puede causar pérdidas de audición.

Para consumidores europeos

Deshacerse de aparatos eléctricos y electrónicos

- (a) Todos los aparatos eléctricos y electrónicos deben ser eliminados separados del resto de basura común y únicamente en los "puntos limpios" o bajo los procedimientos especificados por el gobierno o autoridades municipales locales.
- (b) Con la eliminación correcta de los equipos eléctricos y electrónicos estará ayudando a conservar recursos muy valiosos y a evitar los posibles efectos negativos en la salud humana y en el medio ambiente.
- (c) La eliminación incorrecta de los equipos eléctricos y electrónicos puede producir efectos muy dañinos en el medio ambiente y en la salud humana a causa de las sustancias peligrosas que pueden encontrarse en estos equipos.
- (d) El símbolo de Eliminación de Aparatos Eléctricos y Electrónicos (WEEE en inglés), identificado por un cubo de basura con ruedas tachado, indica que los equipos eléctricos y electrónicos deben ser eliminados de forma totalmente independiente con respecto a la basura doméstica. 
- (e) Existen sistemas para la eliminación y recogida de este tipo de aparatos a disposición del usuario final. Si necesita más información acerca de la forma de deshacerse de aparatos eléctricos y electrónicos antiguos, póngase en contacto con su Ayuntamiento, con la correspondiente empresa del servicio de recogida de residuos o con el comercio en el que adquirió ese aparato.

Deshacerse de pilas y/o acumuladores

- (a) Las pilas y/o acumuladores gastados deben ser eliminados separados del resto de basura común y únicamente en los "puntos de recogida" o bajo los procedimientos especificados por el gobierno o autoridades municipales locales.
- (b) Con la eliminación correcta de las pilas y/o acumuladores gastados estará ayudando a conservar recursos muy valiosos y a evitar los posibles efectos negativos en la salud humana y en el medio ambiente.
- (c) La eliminación incorrecta de las pilas y/o acumuladores gastados puede producir efectos muy dañinos en el medio ambiente y en la salud humana con motivo de las sustancias peligrosas que pueden encontrarse en estos equipos.
- (d) El símbolo WEEE, identificado por un cubo de basura con ruedas tachado, indica que las pilas y/o acumuladores gastados deben ser eliminados de forma totalmente independiente con respecto a la **Pb, Hg, Cd** basura doméstica. 
- Si una pila o un acumulador contienen más cantidad de los valores especificados de plomo (Pb), mercurio (Hg), y/o cadmio (Cd) según está definido en la Directiva relativa a las pilas (2006/66/EC), entonces los símbolos químicos correspondientes a estos elementos estarán indicados debajo del símbolo WEEE.
- (e) Existen sistemas para la eliminación y recogida a disposición del usuario final. Si necesita más información acerca de la forma de eliminar pilas y/o acumuladores gastados, póngase en contacto con su Ayuntamiento, con la correspondiente empresa del servicio de recogida de residuos o con el comercio donde se adquirieron.

Índice

Gracias por elegir TEAC. Lea detenidamente este manual para obtener el mejor rendimiento posible de esta unidad.

Accesorios incluidos	41
Antes de su utilización	42
Mantenimiento	42
Nombres y funciones de las partes	43
Conexión del equipo	44
Funcionamiento básico	46
Pantalla.....	47
Reproducción de música de un ordenador	49
Ajustes	51
Solución de posibles fallos	54
Especificaciones	56

Accesorios incluidos

Compruebe la caja para asegurarse de que contiene todos los accesorios que se enumeran más abajo.

Por favor, póngase en contacto con el establecimiento donde adquirió esta unidad en el caso de que cualquiera de estos accesorios falte o haya sufrido desperfectos durante el transporte.

Cable de corriente × 1

Cable de audio RCA × 1

Manual del usuario (este documento) × 1

- Conserve este manual en un lugar seguro para futuras consultas.

Tarjeta de garantía × 1

ES

Antes de su utilización

Precauciones de emplazamiento

- No ponga nada encima de la unidad.
- Evite colocar la unidad donde le dé la luz solar directa o cerca de una fuente de calor, como por ejemplo un radiador, un calefactor, una chimenea o un amplificador. Evite también lugares sujetos a vibraciones y a polvo, calor, frío o humedad excesivos.
- Coloque la unidad en un emplazamiento estable cerca del equipo de audio con el que la vaya a utilizar.
- No mueva la unidad cuando esté en uso.
- El voltaje suministrado a la unidad deberá coincidir con el voltaje impreso en el panel posterior. Si tiene dudas al respecto, consulte a un electricista.
- Como la unidad puede calentarse durante el funcionamiento, deje siempre suficiente espacio a su alrededor para la ventilación. Cuando instale esta unidad, deje un pequeño espacio (al menos 3 cm) entre ella y las paredes u otros dispositivos con el fin de permitir una buena disipación del calor. Cuando la instale en un rack, por ejemplo, deje al menos 5 cm de espacio abierto por encima y 10 cm por detrás.
- No abra la carcasa porque podría causar daños en los circuitos o una descarga eléctrica. En caso de que se introduzca un objeto extraño en la unidad, contacte con su distribuidor o con un servicio técnico TEAC autorizado.
- Cuando desenchufe el cable de corriente de una toma de electricidad, tire siempre directamente del conector, nunca del cable.
- Dependiendo de las ondas electromagnéticas de las emisiones de televisión, podrían aparecer interferencias en las pantallas de las televisiones cuando la unidad está encendida. Esto no significa que esta unidad o la televisión estén funcionando mal. Si esto ocurre, apague esta unidad.

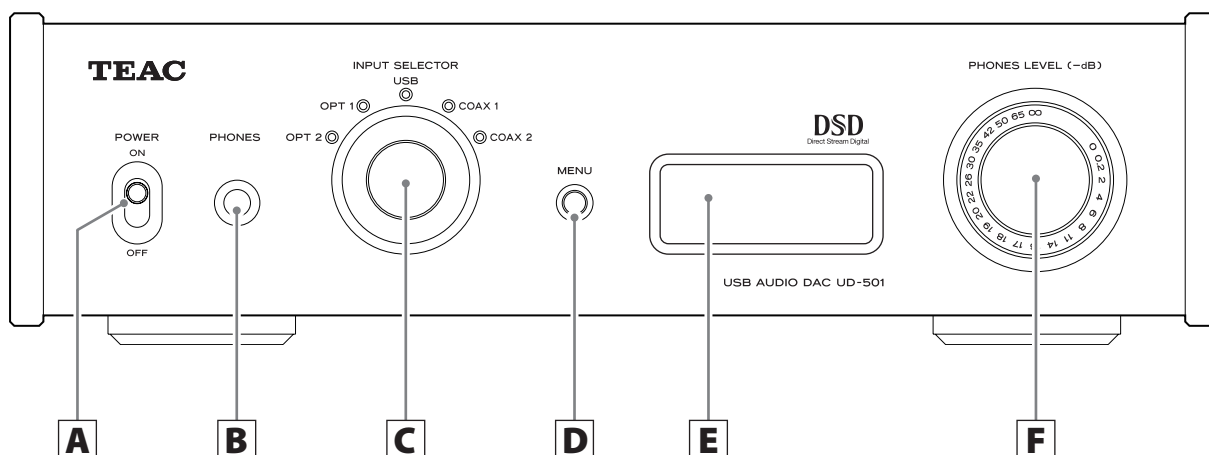
Mantenimiento

Si la superficie de esta unidad se ensucia, límpiela con un paño suave y seco. Si la unidad se ensucia mucho, humedezca ligeramente un paño suave con un líquido limpiador suave diluido y páselo eliminando cualquier exceso de líquido que pueda quedar antes de utilizar el paño para limpiar la unidad.

Por seguridad, desconecte el cable de corriente de la toma de electricidad antes de proceder a la limpieza.

- Nunca aplique ni rocíe líquidos directamente sobre esta unidad.
- No use disolvente ni alcohol, ya que pueden dañar la superficie de la unidad.
- Evite que materiales de goma o plástico estén en contacto con este producto durante largos periodos de tiempo porque podrían dañar la carcasa.

Nombres y funciones de las partes



A Interruptor POWER

Úselo para encender (ON) y apagar (OFF).

B Terminal PHONES

Conecte aquí unos auriculares con un conector estándar estéreo de 6.3 mm (1/4").

C Mando INPUT SELECTOR

Úselo para seleccionar la fuente de entrada. Se iluminará el indicador situado junto a la fuente seleccionada.

Úselo para cambiar los valores de los ajustes cuando en pantalla se muestre un apartado del menú.

- Si gira este mando cuando la unidad ha entrado en reposo (standby) a causa de la función de ahorro de energía automático, la unidad se volverá a encender otra vez.

D Botón MENU

Pulse este botón para entrar en el modo de ajustes (página 51).

- Si pulsa este botón cuando la unidad ha entrado en reposo (standby) a causa de la función de ahorro de energía automático, la unidad se volverá a encender otra vez.

E Pantalla

Esta pantalla muestra la información sobre la reproducción de audio y las pantallas de los menús.

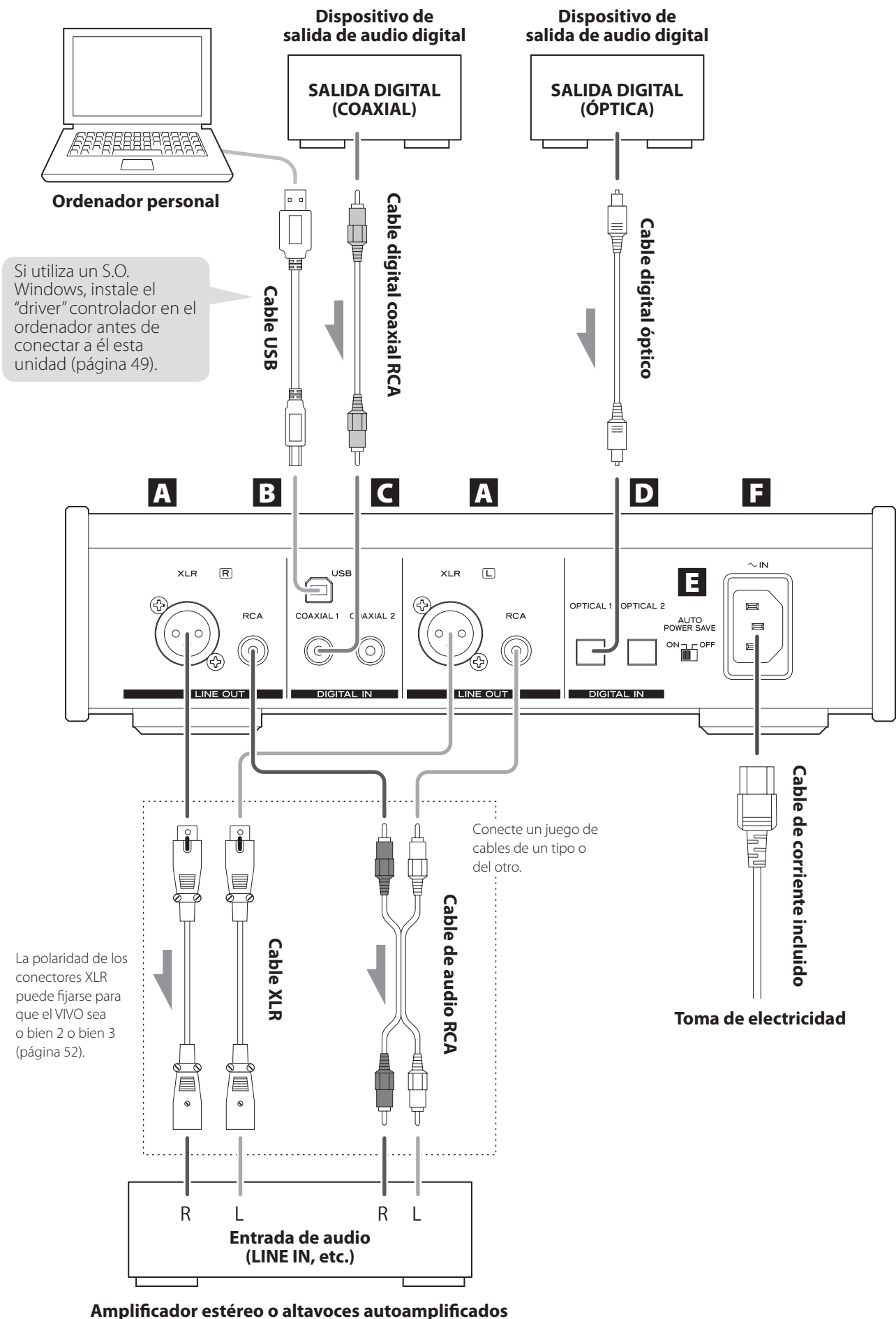
F Mando PHONES LEVEL

Úselo para ajustar el volumen de salida de los auriculares. Gírelo a la derecha para aumentar el volumen y hacia la izquierda para disminuirlo.

- Este mando no ajusta el nivel de salida de los terminales de salida de audio analógico LINE OUT.

El volumen máximo es 0 y el volumen mínimo es $-\infty$ (menos infinito). Cuando utilice los auriculares, antes de encender la unidad, use el mando PHONES LEVEL para poner el nivel de volumen de los auriculares en el mínimo ($-\infty$). Si no lo hace, podría causar ruido repentino a alto volumen, lo cual puede originar daños a sus oídos u otros problemas.

Conexión del equipo



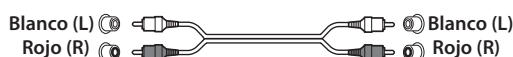
A Terminales de salida de audio analógico (LINE OUT)

Son un par de salidas de audio analógico de dos canales. Conecte los terminales XLR y los terminales RCA a un amplificador estéreo o a altavoces autoamplificados.

Use los cables incluidos u otros de los disponibles en establecimientos comerciales para realizar estas conexiones.

XLR: Cables XLR balanceados
RCA: Cables de audio RCA

Conecte el terminal R (derecha) de esta unidad con el terminal R del amplificador. Igualmente, conecte el terminal L (izquierda) al terminal L del amplificador.



B Terminal de entrada USB (DIGITAL IN)

Utilícelo para introducir audio digital desde un ordenador. Conéctelo al terminal USB de un ordenador.

Para la conexión, use un cable USB de los disponibles en establecimientos comerciales.

PRECAUCIÓN

Antes de conectar la unidad a un ordenador que esté corriendo bajo un sistema operativo Windows, debe instalar el "driver" controlador específico en dicho ordenador (página 49).

No es posible la conexión correcta con un ordenador que no tenga este "driver" controlador instalado.

C Terminales coaxiales de entrada de audio digital RCA (DIGITAL IN)

Utilícelos para introducir audio digital. Conéctelos con los terminales coaxiales de salida de audio digital de los dispositivos de audio digital.

Para hacer las conexiones, use cables digitales coaxiales RCA de los disponibles en establecimientos comerciales.

D Terminales ópticos de entrada de audio digital

Utilícelos para introducir audio digital. Conéctelos con los terminales ópticos de salida de audio digital de los dispositivos de audio digital.

Para hacer las conexiones, use cables digitales ópticos de los disponibles en establecimientos comerciales.

E Interruptor AUTO POWER SAVE

Utilícelo para activar (ON) y desactivar (OFF) la función de ahorro de energía automático.

Cuando está activado, la unidad automáticamente entra en modo de reposo (standby) si no hay ninguna entrada de señal digital durante 30 minutos o más.

- Para encender la unidad otra vez desde el modo de reposo, pulse el botón MENU, gire el mando INPUT SELECTOR o cambie el interruptor POWER a OFF (apagado) una vez y después vuelva a ponerlo en ON (encendido).
- Espere unos segundos tras cambiar el interruptor POWER a OFF antes de volver a ponerlo en ON.

F Receptáculo del cable de corriente (~IN)

Inserte aquí el cable de corriente incluido. Después de terminar todas las demás conexiones, enchufe el cable de corriente a una toma de electricidad.

Desenchufe el cable de corriente de la toma de electricidad si no va a usar la unidad durante un largo periodo de tiempo.

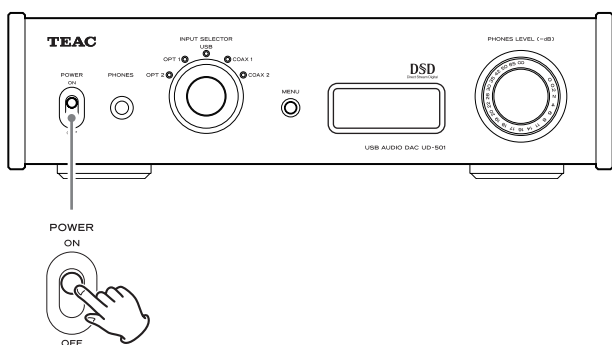
- ⚠ Use solamente el cable de corriente incluido. El uso de un cable de corriente diferente podría causar fuego o una descarga eléctrica.

⚠ No encienda la corriente hasta después de haber hecho todas las conexiones.

- Lea atentamente los manuales de los dispositivos que está conectando y siga sus instrucciones cuando haga las conexiones.
- No agrupe los cables de las conexiones con los cables de corriente. Si lo hace puede originarse ruido. Inserte todos los conectores hasta el fondo.

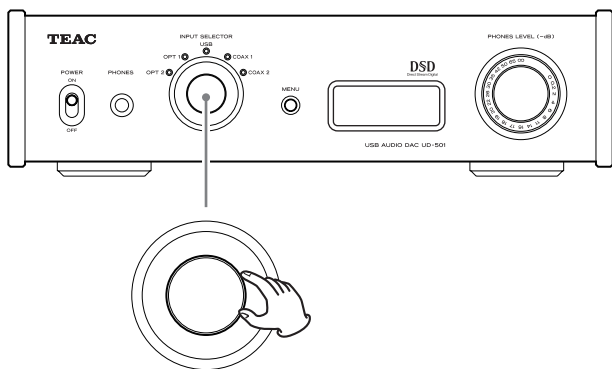
Funcionamiento básico

1 Cambie el interruptor POWER a su posición de encendido (ON).



- Si esta unidad está conectada a un amplificador estéreo, enciéndalo siempre el último.

2 Use el mando INPUT SELECTOR para seleccionar la fuente de entrada.



El indicador correspondiente a la fuente de entrada seleccionada se iluminará.

- Si la señal de entrada no es una señal de audio digital o es un formato de señal de audio que no sea soportado por esta unidad, como por ejemplo Dolby Digital, DTS o AAC, "NOT AUDIO!" aparecerá en la pantalla y no se escuchará audio ninguno. Configure la salida digital del dispositivo conectado como salida de audio PCM.
- Para utilizar un ordenador que corra bajo un sistema operativo Windows para reproducir archivos de audio cuando esta unidad está puesta en "USB", primero debe instalar un "driver" controlador específico en el ordenador antes de conectar la unidad y el ordenador (página 49).
- Los datos DSD solamente se pueden reproducir mediante USB.

3 Ponga en funcionamiento el dispositivo de reproducción.

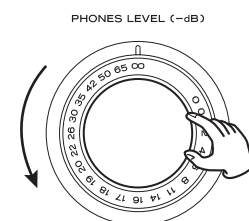
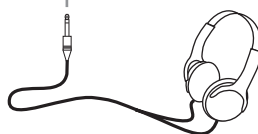
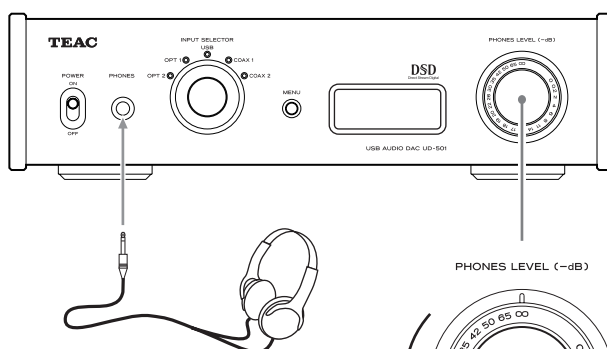
Remítase al manual de instrucciones de ese dispositivo.

4 Ajuste el volumen.

Utilice el amplificador estéreo u otro dispositivo conectado a esta unidad para ajustar el volumen. Cuando utilice unos auriculares conectados a esta unidad, gire el mando PHONES LEVEL para ajustar el volumen.

Quando utilice auriculares

Antes de conectar los auriculares a esta unidad, gire el mando PHONES LEVEL hacia la izquierda (en dirección contraria a las agujas del reloj) para poner el volumen al mínimo.



-∞ dB: volumen mínimo
0 dB: volumen máximo

Pantalla (1)

Cuando se enciende la unidad



WELCOME



TEAC
UD-501

Después de que aparezcan los mensajes anteriores, la fuente de entrada se mostrará en la pantalla.

Cuando se selecciona una fuente de entrada

El nombre de la fuente de entrada se muestra en la pantalla cuando se cambia la fuente de entrada.

Ejemplo: cuando se selecciona OPT2



OPT2 in

Nombre de la fuente de entrada

Indicaciones de error

Cuando la unidad no puede acoplar la señal de entrada, en la pantalla parpadea el mensaje de error "UNLOCK!" (¡sin acoplar!).

Ejemplo:




OPT1
UNLOCK!

Pantalla de información sobre la fuente de entrada

Durante la entrada de audio PCM

Cuando MODE DISP=OFF

Ejemplo:




PCM 176.4kHz

Tipo de señal Frecuencia de muestreo

Cuando MODE DISP=ON, UPCONV=OFF, DF=OFF

Ejemplo:

El sobreconvertidor está desactivado
Ajuste del filtro digital

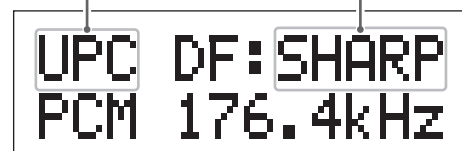


ORG DF:OFF
PCM 96kHz

Cuando MODE DISP=ON, UPCONV=ON, DF=SHARP

Ejemplo:

El sobreconvertidor está desactivado
Ajuste del filtro digital



UPC DF:SHARP
PCM 176.4kHz

Cuando la señal de entrada está acoplada a 352.8 kHz

Ejemplo:



PCM 352.8kHz

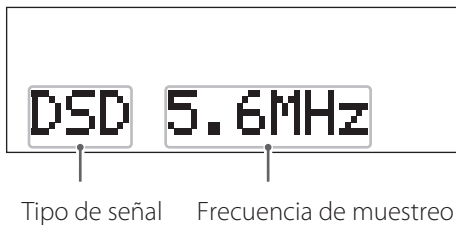
- Cuando la señal de entrada está acoplada a 352.8 kHz o 384 kHz, el sobreconvertidor y el filtro digital PCM son ignorados, así MODE DISP, UPCONV y DF no aparecen en pantalla independientemente de sus ajustes.

Pantalla (2)

Durante la introducción de audio DSD

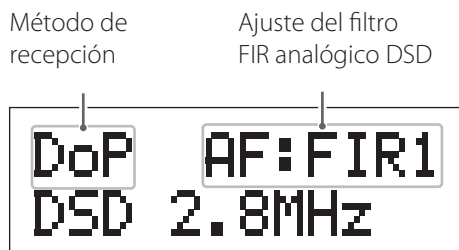
Cuando MODE DISP=OFF

Ejemplo:



Cuando MODE DISP=ON, DSD AF=FIR1

Ejemplo:



Método de recepción

No se muestra nada: DSD recibido sin conversión (nativo)
DoP: señal DSD recibida por el método DoP (DSD sobre PCM)

Estado del ahorro de energía automático

Cuando cambie el interruptor AUTO POWER SAVE del panel frontal de la unidad, el nuevo ajuste se mostrará en pantalla durante unos 2 segundos.



12 segundos antes de que la función de ahorro de energía automático ponga la unidad en modo de reposo (standby), en la pantalla se mostrará una cuenta atrás.



Cada segundo desaparece un punto hasta que hayan desaparecido todos y la unidad entre en modo de reposo.

Instalación del "driver" controlador en un ordenador

Cuando utilice Mac OS X

Esta unidad se puede usar con las siguientes versiones de Mac OS:

Mac OS X 10.6 (Snow Leopard)

(Mac OS X 10.6.4 o posterior)

Mac OS X 10.7 (Lion)

Mac OS X 10.8 (Mountain Lion)

(a partir de Octubre 2012)

Esta unidad funcionará con el "driver" controlador estándar del Mac OS, por lo que no hay necesidad de instalar un "driver" controlador especial.

Cuando utilice un sistema operativo Windows

Instalación del "driver" controlador en el ordenador

Para que esta unidad reproduzca archivos de audio de un ordenador, primeramente deberá instalar un "driver" controlador en el ordenador. Por favor, descargue dicho "driver" controlador desde la dirección web que le facilitamos a continuación.

Página de descarga del software del "driver" controlador:

http://www.teac.co.jp/audio/software_teac_e.html

La conexión USB es soportada en ordenadores Windows que corran bajo Windows XP, Windows Vista, y Windows 7. La compatibilidad con otros sistemas operativos no está garantizada.

PRECAUCIÓN

Instale el "driver" controlador antes de conectar la unidad con el ordenador mediante USB.

Si conecta esta unidad con un ordenador antes de instalar el "driver" controlador, no funcionará correctamente. Es más, si el ordenador corre bajo Windows XP, su funcionamiento podría ralentizarse notablemente, requiriendo ser reiniciado.

- Para más instrucciones acerca de los procedimientos de instalación del "driver" controlador, por favor consulte nuestra página de descarga.

- Dependiendo de la combinación de hardware y software, podría no darse un funcionamiento correcto incluso con los sistemas operativos antes citados.

Acerca del modo de transmisión

Esta unidad se conecta usando el modo asíncrono de alta velocidad.

Las frecuencias de muestreo transmisibles son 44.1 kHz, 48 kHz, 88.2 kHz, 96 kHz, 176.4 kHz y 192 kHz.

Una vez conectado correctamente, podrá seleccionar "TEAC USB AUDIO DEVICE" como salida de audio desde el sistema operativo del ordenador.

- En el modo asíncrono, los datos de audio enviados desde el ordenador se procesan usando el reloj de esta unidad, permitiendo una transmisión de datos con la fluctuación reducida al mínimo.

Descarga de aplicaciones de reproducción

Si lo necesita, puede descargar gratuitamente software de aplicaciones de reproducción que soportan archivos DSD (versiones Mac y Windows) desde la siguiente página web de TEAC.

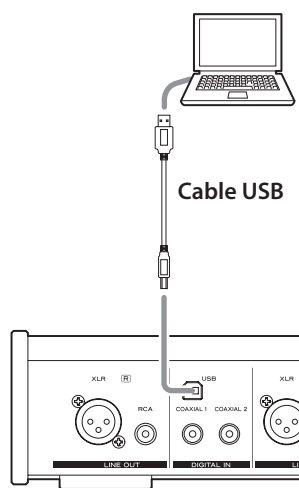
Página de descarga del software de aplicaciones:

http://www.teac.co.jp/audio/software_teac_e.html

Reproducción de música de un ordenador (2)

Reproducción de archivos de audio de un ordenador

1 Conecte esta unidad a un ordenador usando un cable USB.

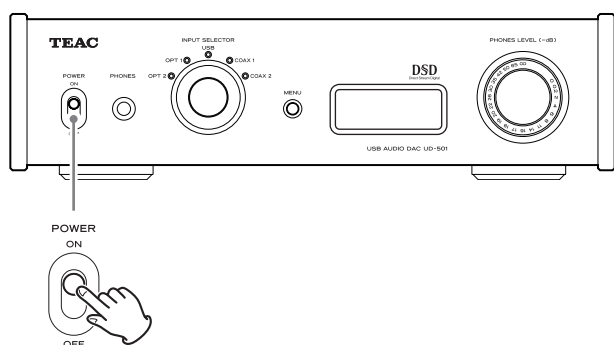


- Use un cable con un conector adecuado para el puerto USB de esta unidad.

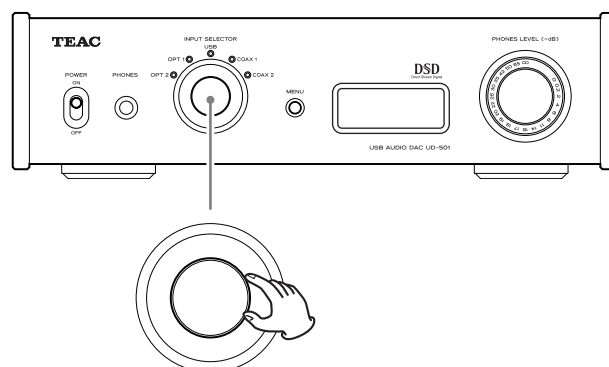
2 Encienda el ordenador.

- Confirme que el sistema operativo se ha iniciado correctamente.

3 Pulse el botón POWER para encender (ON) esta unidad.



4 Gire el mando INPUT SELECTOR para seleccionar USB.



5 Comience la reproducción de un archivo de música en el ordenador.

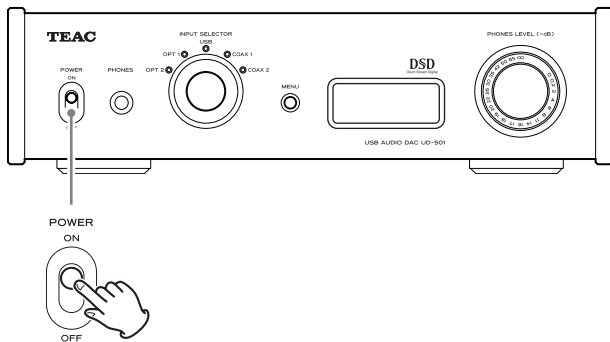
Poniendo el volumen de salida del ordenador al máximo nivel y ajustando el volumen de salida del amplificador estéreo, se puede obtener mejor calidad de sonido. Ponga el volumen del amplificador estéreo al mínimo antes de comenzar la reproducción y después vaya subiendo el nivel gradualmente.

Cuando utilice auriculares con esta unidad, gire el mando PHONES LEVEL hacia la izquierda (en dirección contraria a las agujas del reloj) para poner el volumen al mínimo antes de comenzar la reproducción. Después, súbalo gradualmente.

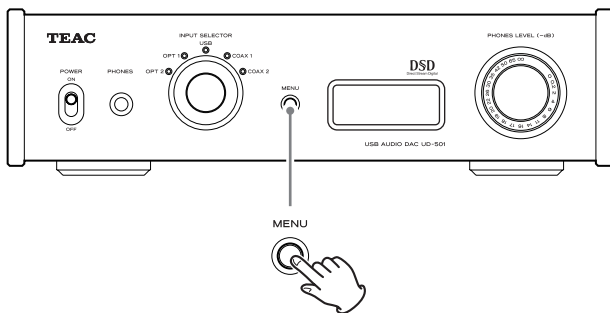
- El ordenador no puede controlar esta unidad ni esta unidad puede controlar el ordenador.
- No lleve a cabo ninguna de las siguientes acciones cuando se esté reproduciendo un archivo de audio mediante USB. Si lo hace podría causar anomalías de funcionamiento en el ordenador. Salga del software de reproducción de música siempre que vaya a llevar a cabo cualquiera de las siguientes acciones:
 - Desconectar el cable USB
 - Apagar esta unidad
 - Cambiar la selección de entrada vigente
- Cuando esté reproduciendo un archivo de audio mediante USB, también se escucharán los sonidos de funcionamiento del ordenador. Si no quiere que se escuchen dichos sonidos, haga los ajustes apropiados en el ordenador para desactivarlos.
- Si conecta esta unidad con el ordenador o cambia su entrada a "USB" después de haber iniciado el software de reproducción de música, los archivos de audio podrían no reproducirse correctamente. Si esto ocurre, reinicie el software de reproducción de música o reinicie el ordenador.

Ajustes (1)

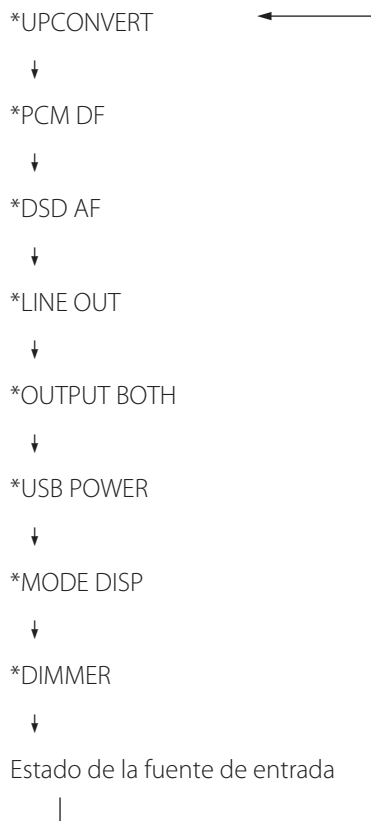
1 Pulse el botón POWER para encender esta unidad.



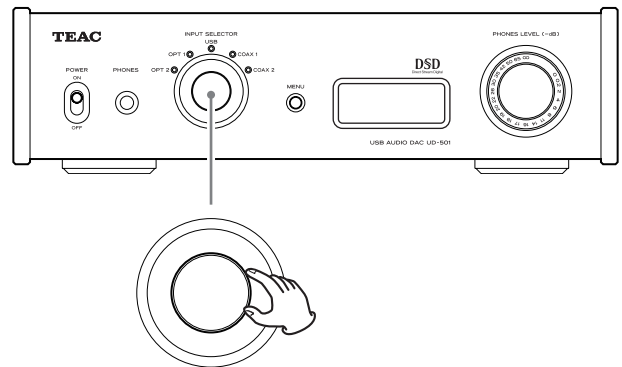
2 Pulse el botón MENU para mostrar los apartados que se pueden configurar.



Pulse el botón MENU repetidamente para recorrer cíclicamente los apartados del menú como se muestran a continuación:

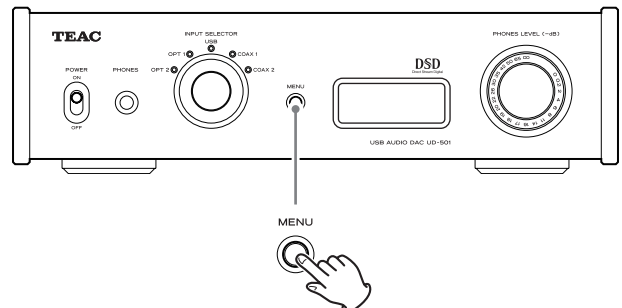


3 Gire el mando INPUT SELECTOR para cambiar el valor del ajuste.



- El valor actualmente vigente se muestra en la pantalla.

4 Cuando haya terminado de cambiar la configuración, pulse el botón MENU para mostrar la fuente de entrada.



- Si no hace nada durante 10 segundos, la pantalla volverá a mostrar la fuente de entrada.
- También puede pulsar el botón MENU durante 2 segundos o más para mostrar la fuente de entrada.

Ajustes (2)

Sobreconvertidor

```
*UPCONVERT  
>OFF
```

Se utiliza para activar el circuito de sobreconversión cuando se reciban señales en formato PCM.

OFF

Desactiva el sobreconvertidor.

ON

Activa el sobreconvertidor.

La sobreconversión D/D a 192 kHz de señales PCM con frecuencias de muestreo de menos de 192 kHz es seguida por una conversión D/A.

Filtro digital PCM

```
*PCM DF  
>OFF
```

Se utiliza para configurar el filtro digital cuando se reciben señales en formato PCM.

OFF

Desactiva el filtro digital.

SHARP

Utiliza un filtro digital con una pendiente de caída pronunciada.

SLOW

Utiliza un filtro digital con una pendiente de caída lenta.

- Cuando se reciban señales a 352.8 kHz o 384 kHz, el filtro digital se desactivará durante la reproducción independientemente de su ajuste.

Filtro FIR analógico DSD

```
*DSD AF  
>FIR2
```

Se utiliza para determinar el filtro digital usado cuando se reciben señales en formato DSD.

FIR1

$f_c=185$ kHz, Gain= -6.6 dB

FIR2

$f_c=90$ kHz, Gain= $+0.3$ dB

FIR3

$f_c=85$ kHz, Gain= -1.5 dB

FIR4

$f_c=94$ kHz, Gain= -3.3 dB

NOTE

f_c : frecuencia de corte

Gain: ganancia de la etapa de filtro

Salida de línea

```
*LINE OUT  
>RCA
```

Se utiliza para seleccionar los conectores de salida de audio analógico que se estén utilizando.

RCA

La salida es a través de los terminales RCA.

XLR2

La salida es a través de los terminales XLR con la polaridad del VIVO en el pin 2.

XLR3

La salida es a través de los terminales XLR con la polaridad del VIVO en el pin 3.

Salida simultánea de auriculares y de línea

```
*OUTPUT BOTH  
>OFF
```

OFF

La salida simultánea no es posible. Cuando conecte los auriculares, las salidas de audio analógico se desactivarán.

ON

La salida simultánea es posible. Aunque conecte los auriculares, las salidas de audio analógico permanecen activas.

Corriente en el circuito de entrada USB

```
*USB POWER  
>AUTO
```

AUTO

El puerto USB contiene corriente solamente cuando la fuente de entrada es USB. Cuando esté activa cualquier otra entrada, el puerto USB no recibe corriente.

ON

El puerto USB siempre recibe corriente.

Pantalla de modo de ajuste (UPCONV, DF, AF)

```
*MODE DISP  
>OFF
```

Se utiliza para seleccionar si el modo de ajuste (sobreconvertidor, filtro, método de recepción DSD, etc.) también se muestra cuando se muestra la fuente de entrada en la pantalla.

OFF

No se muestra el modo de ajuste.

ON

Se muestra el modo de ajuste.

Brillo de la pantalla

```
*DIMMER  
>DIM3
```

DIM3

Brillo normal

DIM2

Ligeramente atenuado

DIM1

Atenuación media

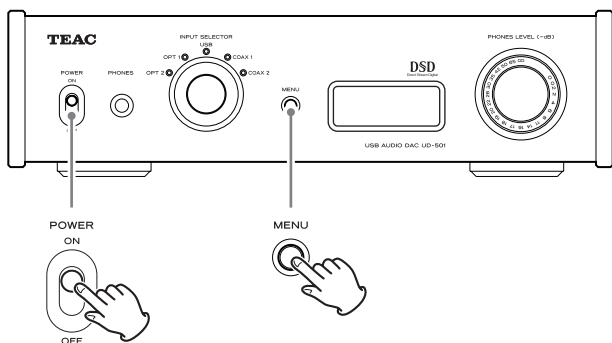
DISP OFF

Pantalla apagada

Ajustes (3)

Restablecer los ajustes a sus valores de fábrica por defecto.

Mientras pulsa y mantiene pulsado el botón MENU, ponga el interruptor POWER en ON (encendido).



- Pulse y mantenga pulsado el botón MENU hasta que "SETUP CLR" aparezca en la pantalla. La configuración de fábrica por defecto son los valores de los ajustes mostrados en las imágenes de pantallas utilizadas en las explicaciones de este manual.

Solución de posibles fallos

Si se presenta un problema con esta unidad, por favor compruebe los siguientes puntos antes de solicitar asistencia técnica. Si aún así no funciona correctamente, póngase en contacto con el establecimiento donde compró la unidad o con el servicio de soporte al cliente de TEAC (consulte la contraportada donde encontrará la información de contacto).

General

La unidad no se enciende.

- ➔ Compruebe que el enchufe del cable de corriente está insertado completamente en la toma de electricidad. Si la toma de electricidad a su vez tiene un interruptor, confirme que el interruptor está en la posición de encendido.
- ➔ Conecte otro aparato eléctrico a la toma de electricidad para confirmar que tiene corriente.
- ➔ Si la función de ahorro de energía automático ha hecho que la unidad entre en modo de reposo (standby), gire el mando INPUT o pulse el botón MENU para volver a encender (ON) la unidad otra vez.

No sale sonido.

- ➔ Si esta unidad está conectada a un amplificador estéreo, ajuste su volumen. Si está usando unos auriculares conectados a esta unidad, use el mando PHONES LEVEL para ajustar el volumen.
- ➔ Utilice el mando INPUT SELECTOR para seleccionar la entrada que está conectada a la fuente que desee escuchar.
- ➔ Revise las conexiones con el resto de componentes del equipo.

Hay un ruido o zumbido.

- ➔ Si algún cable de conexión está cerca de un cable de corriente, de un fluorescente o de otra causa similar de interferencias, aumente la distancia entre ellos todo lo que sea posible.

No hay sonido en un lado de los auriculares.

- ➔ Confirme que el conector de los auriculares está bien insertado en su totalidad.

Conexiones con un ordenador

El ordenador no reconoce esta unidad.

- ➔ Esta unidad solo se puede conectar con ordenadores que corran bajo los siguientes sistemas operativos:

Apple Macintosh

Mac OS X 10.6 (Snow Leopard)

(Mac OS X 10.6.4 o posterior)

Mac OS X 10.7 (Lion)

Mac OS X 10.8 (Mountain Lion)

(a partir de Octubre 2012)

- Funciona con el "driver" controlador estándar del sistema operativo.

Microsoft Windows

Windows XP (32/64 bits)

Windows Vista (32/64 bits)

Windows 7 (32/64 bits)

- Requiere la instalación de un "driver" controlador específico (página 49).

El funcionamiento con otros sistemas operativos no está garantizado.

Hay ruido.

- ➔ Iniciar otras aplicaciones durante la reproducción de un archivo de música puede interrumpir la reproducción o causar ruido. No inicie otras aplicaciones durante la reproducción.
- ➔ Cuando esta unidad está conectada con el ordenador mediante un "hub" (distribuidor) USB, por ejemplo, puede escucharse ruido. Si se da el caso, conecte la unidad directamente al ordenador.

No se pueden reproducir los archivos de música.

- ➔ Conecte el ordenador con esta unidad y ponga la entrada en "USB" antes de iniciar el software de reproducción de música y de reproducir ningún archivo de música.
Si conecta esta unidad y el ordenador o selecciona USB como entrada después de haber lanzado el software de reproducción de música, los datos de audio podrían no reproducirse correctamente.

Puesto que esta unidad utiliza un micro controlador, podría no funcionar correctamente algunas veces a causa del ruido y de otras interferencias externas a la unidad. Si se da el caso, desenchufe el cable de corriente de la toma de electricidad y espere un rato antes de volver a enchufarlo y reintente la operación.

Especificaciones

Salidas de audio analógico

Terminales conectores XLR × 1 par
conectores RCA × 1 par

Impedancia de salida XLR: 88 Ω
RCA: 22 Ω

Nivel de salida máximo (1/plena escala, a 10 kΩ)
XLR: 4.0 Vrms
RCA: 2.0 Vrms

Rango de frecuencias 5 Hz – 80 kHz (–3 dB)

Relación señal/ruido 115 dB

Distorsión 0.0015% (1 kHz)

Salida de auriculares

Terminal jack estéreo estándar de 6.3 mm

Salida máxima 100 mW + 100 mW (a 32 Ω)

Entradas de audio digital

Digital COAXIAL conectores RCA × 2 (0.5Vp-p/75Ω)

Digital OPTICAL conectores digitales ópticos × 2
(de –24.0 a –14.5 dBm pico)

USB conector Tipo B × 1
(especificaciones USB 2.0)

Frecuencia de muestreo de datos PCM

Digital COAXIAL 32 kHz, 44.1 kHz, 48 kHz, 88.2 kHz,
96 kHz, 176.4 kHz, 192 kHz

Digital OPTICAL 32 kHz, 44.1 kHz, 48 kHz,
88.2 kHz, 96 kHz

USB 44.1 kHz, 48 kHz, 88.2 kHz, 96 kHz,
176.4 kHz, 192 kHz, 352.8 kHz, 384 kHz

Velocidades de bits de cuantización

Digital COAXIAL/Digital OPTICAL 16/24 bits

USB 16/24/32 bits

Frecuencia de muestreo de datos DSD

USB 2.8/5.6 MHz

General

Alimentación

Modelo para Europa CA 220 – 240 V, 50 Hz

Modelo para U.S.A./Canadá CA 120 V, 60 Hz

Consumo de corriente 13 W

Consumo de corriente en reposo (standby) 0.1 W

Dimensiones externas 290 mm × 81.2 mm × 244 mm
(ancho × alto × profundo incluyendo salientes)

Peso 4.0 kg

Margen de temperatura de funcionamiento
de +5°C a +35°C

Rango de humedad de funcionamiento
5 – 85% (sin condensación)

Rango de temperatura de almacenamiento
de –20°C a +55°C

Accesorios incluidos

Cable de corriente × 1

Cable de audio RCA × 1

Manual del usuario (este documento) × 1

Tarjeta de garantía × 1

- Las especificaciones y el diseño está sujetos a cambio sin previo aviso.
- El peso y las dimensiones son aproximados.
- Las ilustraciones que aparecen en este manual del usuario pueden diferir ligeramente de los modelos de producción.

ES

TEAC

TEAC CORPORATION	1-47 Ochiai, Tama-shi, Tokyo 206-8530 Japan	Phone: (042) 356-9156
TEAC AMERICA, INC.	7733 Telegraph Road, Montebello, California 90640 U.S.A.	Phone: (323) 726-0303
TEAC MEXICO, S.A. DE C.V.	Río Churubusco 364, Colonia Del Carmen, Delegación Coyoacán, CP 04100, México DF, México	Phone: (5255) 5010-6000
TEAC EUROPE GmbH	Bahnstraße 12, D-65205 Wiesbaden-Erbenheim, Deutschland	Phone: 0611-71580

This device has a serial number located on its rear panel. Please record the serial number and retain it for your records.

Model name: UD-501 Serial number: _____